



An Oshkosh Corporation Company

Operation and Safety Manual

Original Instructions - Keep this manual with the machine at all times.

Model
600AJ HC3
PVC 2001

ANSI **CE**  **AS/NZS**

The AS/NZS logo consists of a globe with a stylized 'S' and 'A' inside it, representing the Australian and New Zealand Standards.

31215880
October 5, 2020 - Rev C



WARNING

Operating, servicing and maintaining this vehicle or equipment can expose you to chemicals including engine exhaust, carbon monoxide, phthalates, and lead, which are known to the State of California to cause cancer and birth defects or other reproductive harm. To minimize exposure, avoid breathing exhaust, do not idle the engine except as necessary, service your vehicle or equipment in a well-ventilated area and wear gloves or wash your hands frequently when servicing. For more information go to www.P65Warnings.ca.gov.

FOREWORD

The Mobile Elevating Work Platform (MEWP) models covered in this manual are designed and tested to meet or exceed various compliance standards. Please refer to the manufacturer's nameplate affixed to the subject MEWP for specific standard compliance information.

This manual is a very important tool! Keep it with the machine at all times.

The purpose of this manual is to provide owners, users, operators, lessors, and lessees with the precautions and operating procedures essential for the safe and proper machine operation for its intended purpose.

Due to continuous product improvements, JLG Industries, Inc. reserves the right to make specification changes without prior notification. Contact JLG Industries, Inc. for updated information.

Refer to www.JLG.com for Warranty, Product Registration, and other machine-related documentation.

SAFETY ALERT SYMBOLS AND SAFETY SIGNAL WORDS



This is the Safety Alert Symbol. It is used to alert you to the potential personal injury hazards. Obey all safety messages that follow this symbol to avoid possible injury or death

⚠ DANGER

INDICATES AN IMMINENTLY HAZARDOUS SITUATION. IF NOT AVOIDED, WILL RESULT IN SERIOUS INJURY OR DEATH. THIS DECAL WILL HAVE A RED BACKGROUND.

⚠ WARNING

INDICATES A POTENTIALLY HAZARDOUS SITUATION. IF NOT AVOIDED, COULD RESULT IN SERIOUS INJURY OR DEATH. THIS DECAL WILL HAVE AN ORANGE BACKGROUND.

⚠ CAUTION

INDICATES A POTENTIALLY HAZARDOUS SITUATION. IF NOT AVOIDED, MAY RESULT IN MINOR OR MODERATE INJURY. IT MAY ALSO ALERT AGAINST UNSAFE PRACTICES. THIS DECAL WILL HAVE A YELLOW BACKGROUND.

NOTICE

INDICATES INFORMATION OR A COMPANY POLICY THAT RELATES DIRECTLY OR INDIRECTLY TO THE SAFETY OF PERSONNEL OR PROTECTION OF PROPERTY.

⚠ WARNING

THIS PRODUCT MUST COMPLY WITH ALL SAFETY RELATED BULLETINS. CONTACT JLG INDUSTRIES, INC. OR THE LOCAL AUTHORIZED JLG REPRESENTATIVE FOR INFORMATION REGARDING SAFETY-RELATED BULLETINS WHICH MAY HAVE BEEN ISSUED FOR THIS PRODUCT.

NOTICE

JLG INDUSTRIES, INC. SENDS SAFETY RELATED BULLETINS TO THE OWNER OF RECORD OF THIS MACHINE. CONTACT JLG INDUSTRIES, INC. TO ENSURE THAT THE CURRENT OWNER RECORDS ARE UPDATED AND ACCURATE.

NOTICE

JLG INDUSTRIES, INC. MUST BE NOTIFIED IMMEDIATELY IN ALL INSTANCES WHERE JLG PRODUCTS HAVE BEEN INVOLVED IN AN ACCIDENT INVOLVING BODILY INJURY OR DEATH OR WHEN SUBSTANTIAL DAMAGE HAS OCCURRED TO PERSONAL PROPERTY OR THE JLG PRODUCT.

For:

- Accident Reporting
- Product Safety Publications
- Current Owner Updates
- Questions Regarding Product Safety
- Standards and Regulations Compliance Information
- Questions Regarding Special Product Applications
- Questions Regarding Product Modifications

Contact:

Product Safety and Reliability Department
JLG Industries, Inc.
13224 Fountainhead Plaza
Hagerstown, MD 21742
USA

or Your Local JLG Office
(See addresses on inside of manual cover)

In USA:

Toll Free: 877-JLG-SAFE (877-554-7233)

Outside USA:

Phone: 240-420-2661
Fax: 301-745-3713
E-mail: ProductSafety@JLG.com

REVISION LOG

Original Issue	A - January 21, 2020
Revised	B - June 26, 2020
Revised	C - October 5, 2020

SECTION - 1 - SAFETY PRECAUTIONS

1.1 GENERAL 1-1

1.2 PRE-OPERATION 1-1

 Operator Training and Knowledge 1-1

 Workplace Inspection 1-2

 Machine Inspection 1-3

1.3 OPERATION 1-3

 General 1-3

 Trip and Fall Hazards 1-4

 Electrocution Hazards 1-5

 Tipping Hazards 1-7

 Crushing and Collision Hazards 1-10

1.4 TOWING, LIFTING, AND HAULING 1-11

1.5 MAINTENANCE 1-11

 Maintenance Hazards 1-11

 Battery Hazards 1-13

SECTION - 2 - USER RESPONSIBILITIES, MACHINE PREPARATION, AND INSPECTION

2.1 PERSONNEL TRAINING 2-1

 Operator Training 2-1

 Training Supervision 2-1

 Operator Responsibility 2-2

2.2 PREPARATION, INSPECTION, AND MAINTENANCE 2-2

 Pre-Start Inspection 2-4

 Function Check 2-5

 SkyGuard® Function Test 2-5

2.3 LIMIT SWITCH FUNCTIONAL CHECK 2-6

2.4 BASIC NOMENCLATURE - 600AJ HC3 2-9

2.5 DAILY WALK-AROUND INSPECTION DIAGRAM 2-10

 Deutz D2011 L04 2-10

 Deutz TD2.9L 2-11

 Ford DF 2.5L MSG 425 2-12

 General 2-13

SECTION - 3 - MACHINE CONTROLS AND INDICATORS

3.1 GENERAL 3-1

3.2 CONTROLS AND INDICATORS 3-1

3.3 GROUND CONTROL STATION 3-2

 600AJ HC3 3-2

 600AJ HC3 with Machine Safety System
 Override (MSSO)(CE Only) 3-3

3.4 GROUND CONTROL INDICATOR PANEL 3-8

3.5 PLATFORM CONTROL CONSOLE 3-12

3.6 PLATFORM CONTROL INDICATOR PANEL 3-18

SECTION - 4 - MACHINE OPERATION

4.1 DESCRIPTION 4-1

4.2 OPERATING CHARACTERISTICS AND LIMITATIONS 4-1

 Capacities 4-1

 Platform Load Sensing System 4-1

 Stability 4-2

4.3 ENGINE OPERATION 4-5

 Starting Procedure 4-5

TABLE OF CONTENTS

	Shutdown Procedure	4-6
	Air Shutoff Valve (ASOV) (If Equipped)	4-7
	Fuel Reserve / Shut-Off System	4-8
4.4	TRAVELING (DRIVING)	4-10
	Traveling Forward and Reverse	4-11
	Traveling on a Grade	4-12
4.5	STEERING	4-12
4.6	PLATFORM	4-12
	Platform Level Adjustment	4-12
	Platform Rotation	4-12
4.7	BOOM	4-13
	Swinging the Boom	4-13
	Raising and Lowering the Tower Boom	4-14
	Raising and Lowering the Main Boom	4-14
	Telescoping the Main Boom	4-14
4.8	RE-SYNCHRONIZE THE LOWER LIFT CYLINDER	4-15
	Level Override Valve	4-15
4.9	MACHINE SAFETY SYSTEM OVERRIDE (MSSO) (CE ONLY)	4-18
4.10	SKYGUARD OPERATION	4-18
	SkyGuard	4-18
	SkyGuard - SkyLine	4-18
	SkyGuard - SkyEye	4-19
	SkyGuard Function Table	4-19

4.11	SHUT DOWN AND PARK	4-20
4.12	OSCILLATING AXLE LOCKOUT TEST (IF EQUIPPED) ...	4-20
4.13	STEER/TOW SELECTOR (IF EQUIPPED)	4-20
4.14	TOWING (IF EQUIPPED)	4-22
4.15	AUXILIARY POWER	4-23
	Activating from the Platform Control Station	4-23
	Activating from the Ground Control Station	4-24
4.16	DUAL FUEL SYSTEM (GAS ENGINE ONLY)	4-24
	Changing From Gasoline to LP Gas	4-25
	Changing From LP Gas to Gasoline	4-25
4.17	TIE DOWN AND LIFTING	4-25

SECTION - 5 - EMERGENCY PROCEDURES

5.1	GENERAL	5-1
5.2	INCIDENT NOTIFICATION	5-1
5.3	EMERGENCY OPERATION	5-1
	Operator Unable to Control Machine	5-1
	Platform or Boom Caught Overhead	5-2
5.4	EMERGENCY TOWING PROCEDURES	5-2
5.5	MACHINE SAFETY SYSTEM OVERRIDE (MSSO) (CE ONLY)	5-3

SECTION - 6 - ACCESSORIES

6.1	FALL ARREST PLATFORM	6-3
	Safety Precautions	6-3
6.2	SKYPOWER™	6-3
	Accessory Ratings	6-4

Safety Precautions 6-3
 Preparation and Inspection 6-3
 Operation 6-3
 6.6 SKYWELDER™ 6-5
 Accessory Ratings 6-5
 Generator Output 6-5
 Welding Accessories 6-5
 Safety Precautions 6-6
 Preparation and Inspection 6-7
 Operation 6-7

SECTION - 7 - GENERAL SPECIFICATIONS & OPERATOR MAINTENANCE

7.1 INTRODUCTION 7-1
 7.2 OPERATING SPECIFICATIONS 7-1
 Dimensional Data 7-2
 Capacities 7-3
 Engine Data 7-3
 Tires 7-5
 Hydraulic Oil 7-5
 Critical Stability Weights 7-10
 Serial Number Locations 7-11
 7.3 OPERATOR MAINTENANCE AND LUBRICATION
 DIAGRAM 7-16
 Deutz D2011L04 7-16
 Deutz TD 2.9 7-17
 Ford DF 2.5L, MSG 425 7-18

7.4 OPERATOR MAINTENANCE 7-19
 7.5 TIRES & WHEELS 7-28
 Tire Damage 7-28
 Tire Replacement 7-29
 Wheel Replacement 7-29
 Wheel Installation 7-29
 7.6 OSCILLATING AXLE LOCKOUT TEST (IF EQUIPPED) 7-30
 7.6 PROPANE FUEL FILTER REPLACEMENT 7-31
 Removal 7-31
 Installation 7-33
 7.8 PROPANE FUEL SYSTEM PRESSURE RELIEF 7-33
 7.9 SUPPLEMENTAL INFORMATION 7-33

SECTION - 8 - INSPECTION AND REPAIR LOG

TABLE OF CONTENTS

4-1. ASOV Reset (Closed to Open Position) 4-7
4-2. Grade and Sideslope 4-9
4-3. Traveling on a Grade 4-12
4-4. Boom Upright Positioning - Sheet 1 of 2 4-16
4-5. Boom Upright Positioning - Sheet 2 of 2 4-17
4-6. Drive Disconnect Hub 4-23
4-7. Lifting Chart 4-26
4-8. 600AJ HC3 Decal Installation - Sheet 1 of 4 4-27
4-9. 600AJ HC3 Decal Installation - Sheet 2 of 4 4-28
4-10. 600AJ HC3 Decal Installation - Sheet 3 of 4 4-29
7-2. Engine Operating Temperature Specifications - Deutz -
Sheet 1 of 2 7-12
7-3. Engine Operating Temperature Specifications - Deutz -
Sheet 2 of 2 7-13
7.4 Deutz 2011 Engine Dipstick 7-24
7-5. Filter Lock Assembly 7-32

LIST OF FIGURES

1-1	Minimum Approach Distances (M.A.D.)	1-6
1-2	Beaufort Scale (For Reference Only)	1-9
2-1	Inspection and Maintenance Table	2-3
4-1	600AJ HC3 Decal Legend	4-30
6-1	Available Accessories	6-1
6-2	Options/Accessories Relationship Table	6-2
7-1	Operating Specifications	7-1
7-2	Dimensional Data	7-2
7-3	Capacities	7-3
7-4	Deutz D201 1L04 Specifications	7-3
7-5	Deutz TD 2.9L Specifications	7-4
7-6	Ford DF 2.5L, MSG 425	7-4
7-7	Tire Specifications	7-5
7-8	Hydraulic Oil	7-5
7-9	Mobilfluid 424 Specs	7-6
7-10	Mobil DTE 10 Excel 32 Specs	7-6
7-11	Mobil EAL H 46 Specs	7-7
7-12	Mobil EAL 46 Specs	7-7
7-13	Exxon Univis HVI 26 Specs	7-8
7-14	Mobil EAL 224H Specs	7-8
7-15	Quintolubric 888-46	7-9
7-16	Critical Stability Weights	7-10
7-17	Lubrication Specifications	7-19
7-18	Wheel Torque Chart	7-30
8-1	Inspection and Repair Log	8-1

LIST OF TABLES

SECTION 1. SAFETY PRECAUTIONS

1.1 GENERAL

This section outlines the necessary precautions for proper and safe machine usage and maintenance. It is mandatory that a daily routine is established based on the content of this manual to promote proper machine usage. A maintenance program, using the information provided in this manual and the Service and Maintenance Manual, must also be established by a qualified person and must be followed to ensure that the machine is safe to operate.

The owner/user/operator/lessor/lessee of the machine must not accept operating responsibility until this manual has been read, training is accomplished, and operation of the machine has been completed under the supervision of an experienced and qualified operator.

This section contains the responsibilities of the owner, user, operator, lessor, and lessee concerning safety, training, inspection, maintenance, application, and operation. If there are any questions with regard to safety, training, inspection, maintenance, application, and operation, please contact JLG Industries, Inc. ("JLG").

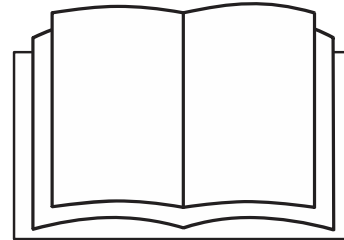
⚠ WARNING

FAILURE TO COMPLY WITH THE SAFETY PRECAUTIONS LISTED IN THIS MANUAL COULD RESULT IN MACHINE DAMAGE, PROPERTY DAMAGE, PERSONAL INJURY OR DEATH.

1.2 PRE-OPERATION

Operator Training and Knowledge

- Read, understand, and study the Operation and Safety Manual in its entirety before operating the machine. For clarification, questions, or additional information regarding any portions of this manual, contact JLG Industries, Inc.



SECTION 1 - SAFETY PRECAUTIONS

- Only personnel who have received proper training regarding the inspection, application and operation of MEWPs (including recognition and avoiding hazards associated with their operation) shall be authorized to operate a MEWP.
- Only properly trained personnel who have received unit-specific familiarization shall operate a MEWP. The user shall determine if personnel are qualified to operate the MEWP prior to operation.
- Read, understand, and obey all DANGERS, WARNINGS, CAUTIONS, and operating instructions on the machine and in this manual.
- Ensure that the machine is to be used in a manner which is within the scope of its intended application as determined by JLG.
- All operating personnel must have a thorough understanding of the intended purpose and function of the MEWP controls, including platform, ground and emergency descent controls.
- Read, understand, and obey all applicable employer, local, and governmental regulations as they pertain to your utilization and application of the machine.

Workplace Inspection

- Precautions to avoid all hazards in the work area must be taken by the user before and during operation of the machine.
- Do not operate or raise the platform from a position on trucks, trailers, railway cars, floating vessels, scaffolds or other equipment unless the application is approved in writing by JLG.
- Before operation, check work area for overhead hazards such as electric lines, bridge cranes, and other potential overhead obstructions.
- Check operating surfaces for holes, bumps, drop-offs, obstructions, debris, concealed holes, and other potential hazards.
- Check the work area for hazardous locations. Do not operate the machine in hazardous environments unless approved for that purpose by JLG.
- Ensure that the ground conditions are adequate to support the maximum tire load indicated on the tire load decals located on the chassis adjacent to each wheel. Do not travel on unsupported surfaces.

Machine Inspection

- Do not operate this machine until the inspections and functional checks as specified in Section 2 of this manual have been performed.
- Do not operate this machine until it has been serviced and maintained according to the maintenance and inspection requirements as specified in the machine's Service and Maintenance Manual.
- Ensure all safety devices are operating properly. Modification of these devices is a safety violation.

WARNING

MODIFICATION OR ALTERATION OF A MEWP SHALL BE MADE ONLY WITH PRIOR WRITTEN PERMISSION FROM THE MANUFACTURER.

- Do not operate any machine on which the safety or instruction placards or decals are missing or illegible.
- Check the machine for modifications to original components. Ensure that any modifications have been approved by JLG.
- Avoid accumulation of debris on platform floor. Keep mud, oil, grease, and other slippery substances from footwear and platform floor.

1.3 OPERATION

General

- Machine operation requires your full attention. Bring the machine to a full stop before using any device, i.e. cell phones, two-way radios, etc. that will distract your attention from safely operating the machine.
- Do not use the machine for any purpose other than positioning personnel, their tools, and equipment.
- Before operation, the user must be familiar with the machine capabilities and operating characteristics of all functions.
- Never operate a malfunctioning machine. If a malfunction occurs, shut down the machine. Remove the unit from service and notify the proper authorities.
- Do not remove, modify, or disable any safety devices.
- Never slam a control switch or lever through neutral to an opposite direction. Always return switch to neutral and stop before moving the switch to the next function. Operate controls with slow and even pressure.
- Do not allow personnel to tamper with or operate the machine from the ground with personnel in the platform, except in an emergency.

SECTION 1 - SAFETY PRECAUTIONS

- Do not carry materials directly on platform railing unless approved by JLG.
- When two or more persons are in the platform, the operator shall be responsible for all machine operations.
- Always ensure that power tools are properly stowed and never left hanging by their cord from the platform work area.
- When driving, always position boom over rear axle in line with the direction of travel. Remember, if boom is over the front axle, steer and drive functions will be reversed.
- Do not assist a stuck or disabled machine by pushing or pulling except by pulling at the chassis tie-down lugs.
- Fully lower platform and shut off all power before leaving machine.
- Remove all rings, watches, and jewelry when operating machine. Do not wear loose fitting clothing or long hair unrestrained which may become caught or entangled in equipment.
- Persons under the influence of drugs or alcohol or who are subject to seizures, dizziness or loss of physical control must not operate this machine.

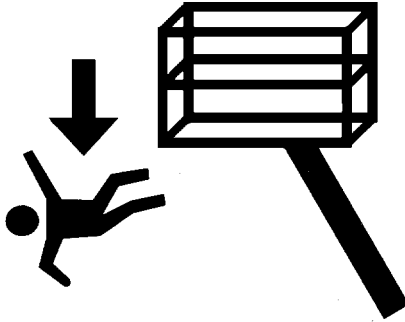
- Hydraulic cylinders are subject to thermal expansion and contraction. This may result in changes to the platform position while the machine is stationary. Factors affecting thermal movement can include the length of time the machine will remain stationary, hydraulic oil temperature, ambient air temperature, and platform position.

Trip and Fall Hazards

- Prior to operation, ensure all gates are closed and fastened in their proper position.
- During operation, occupants in the platform must wear a full body harness with a lanyard attached to an authorized lanyard anchorage point. Attach only one (1) lanyard per lanyard anchorage point.



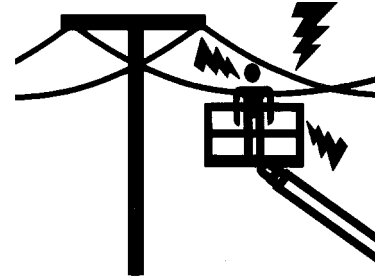
- Enter and exit only through gate area. Use extreme caution when entering or leaving platform. Ensure that the platform assembly is fully lowered. Face the platform when entering or leaving the platform. Always maintain “three point contact” with the machine, using two hands and one foot or two feet and one hand at all times during entry and exit.



- Keep both feet firmly positioned on the platform floor at all times. Never position ladders, boxes, steps, planks, or similar items on unit to provide additional reach for any purpose.
- Keep oil, mud, and slippery substances cleaned from footwear and the platform floor.

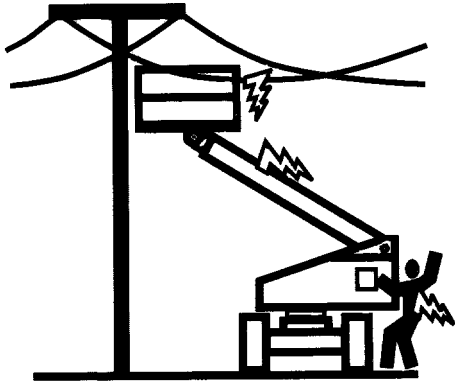
Electrocution Hazards

- This machine is not insulated and does not provide protection from contact or proximity to electrical current.



- It is not recommended to use the machine during lightning. To prevent injury or machine damage if lightning occurs during operation, lower the boom and shut down the machine in a safe and secure location.

SECTION 1 - SAFETY PRECAUTIONS



- Maintain distance from electrical lines, apparatus, or any energized (exposed or insulated) parts according to the Minimum Approach Distance (MAD) as shown in Table 1-1.
- Allow for machine movement and electrical line swaying.

Table 1-1. Minimum Approach Distances (M.A.D.)

Voltage Range (Phase to Phase)	MINIMUM APPROACH DISTANCE in Feet (Meters)
0 to 50 KV	10 (3)
Over 50KV to 200 KV	15 (5)
Over 200 KV to 350 KV	20 (6)
Over 350 KV to 500 KV	25 (8)
Over 500 KV to 750 KV	35 (11)
Over 750 KV to 1000 KV	45 (14)

NOTE: *This requirement shall apply except where employer, local or governmental regulations are more stringent.*

- Maintain a clearance of at least 10 ft. (3m) between any part of the machine and its occupants, their tools, and their equipment from any electrical line or apparatus carrying up to 50,000 volts. One foot additional clearance is required for every additional 30,000 volts or less.

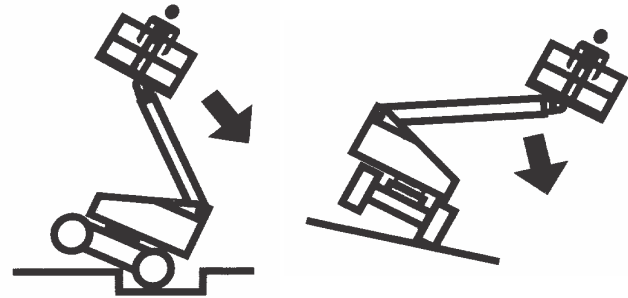
- The minimum approach distance may be reduced if insulating barriers are installed to prevent contact, and the barriers are rated for the voltage of the line being guarded. These barriers shall not be part of (or attached to) the machine. The minimum approach distance shall be reduced to a distance within the designed working dimensions of the insulating barrier. This determination shall be made by a qualified person with respect to electrical transmission and distribution in accordance with the employer, local, or governmental requirements for work practices near energized equipment.

⚠ DANGER

DO NOT MANEUVER MACHINE OR PERSONNEL INSIDE PROHIBITED ZONE (MAD). ASSUME ALL ELECTRICAL PARTS AND WIRING ARE ENERGIZED UNLESS KNOWN OTHERWISE.

Tipping Hazards

- Ensure that the ground conditions are adequate to support the maximum tire load indicated on the tire load decals located on the chassis adjacent to each wheel. Do not travel on unsupported surfaces.
- The user must be familiar with the operating surface before driving. Do not exceed the allowable sideslope and grade while driving.



- Do not elevate platform or drive with platform elevated while on or near a sloping, uneven, or soft surface. Ensure machine is positioned on a smooth, firm surface within the limits of the maximum operating slope before elevating platform or driving with the platform in the elevated position.

SECTION 1 - SAFETY PRECAUTIONS

- Before driving on floors, bridges, trucks, and other surfaces, check allowable capacity of the surfaces.
- Never exceed the maximum platform capacity as specified on the platform. Keep all loads within the confines of the platform, unless authorized by JLG.
- Keep the chassis of the machine a minimum of 2 ft. (0.6m) from holes, bumps, drop-offs, obstructions, debris, concealed holes, and other potential hazards at the ground level.
- Do not push or pull any object with the boom.
- Never attempt to use the machine as a crane. Do not tie-off machine to any adjacent structure. Never attach wire, cable, or any similar items to platform.
- Do not operate the machine when wind conditions, including gusts, may exceed specifications shown in section 7-2 of this manual. Factors affecting wind speed are; platform elevation, surrounding structures, local weather events, and approaching storms.
- Wind speed can be significantly greater at height than at ground level.
- Wind speed can change rapidly. Always consider approaching weather events, the time required to lower the platform, and methods to monitor current and potential wind conditions.
- Do not cover or increase surface area of the platform or the load. Do not carry large surface area items in the platform when operating outdoors. The addition of such items increases the exposed wind area of the machine. Increased areas exposed to wind will decrease stability.
- Do not increase the platform size with unauthorized modifications or attachments.

⚠ WARNING

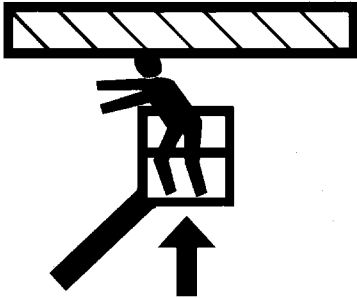
DO NOT OPERATE THE MACHINE WHEN WIND CONDITIONS EXCEED SPECIFICATIONS SHOWN IN SECTION 7.2 OR AS SHOWN ON THE CAPACITY PLACARD ON THE PLATFORM BILLBOARD.

Table 1-2. Beaufort Scale (For Reference Only)

Beaufort Number	Wind Speed		Description	Land Conditions
	mph	m/s		
0	0	0-0.2	Calm	Calm. Smoke rises vertically
1	1-3	0.3-1.5	Light air	Wind motion visible in smoke
2	4-7	1.6-3.3	Light breeze	Wind felt on exposed skin. Leaves rustle
3	8-12	3.4-5.4	Gentle breeze	Leaves and smaller twigs in constant motion
4	13-18	5.5-7.9	Moderate breeze	Dust and loose paper raised. Small branches begin to move.
5	19-24	8.0-10.7	Fresh breeze	Smaller trees sway.
6	25-31	10.8-13.8	Strong breeze	Large branches in motion. Flags waving near horizontal. Umbrella use becomes difficult.
7	32-38	13.9-17.1	Near Gale/Moderate Gale	Whole trees in motion. Effort needed to walk against the wind.
8	39-46	17.2-20.7	Fresh Gale	Twigs broken from trees. Cars veer on road.
9	47-54	20.8-24.4	Strong Gale	Light structure damage.

Crushing and Collision Hazards

- Approved head gear must be worn by all operating and ground personnel.
- Watch for obstructions around machine and overhead when driving. Check clearances above, on sides, and bottom of platform during all operations.



- During operation, keep all body parts inside platform railing.
- Use the boom functions, not the drive function, to position the platform close to obstacles.
- Always post a lookout when driving in areas where vision is obstructed.

- Keep non-operating personnel at least 6 ft. (1.8m) away from machine during all operations.
- Under all travel conditions, the operator must limit travel speed according to conditions of ground surface, congestion, visibility, slope, location of personnel, and other factors.
- Be aware of stopping distances in all drive speeds. When driving in high speed, reduce drive speed before stopping. Travel grades in low speed only.
- Do not use high speed drive in restricted or close quarters or when driving in reverse.
- Exercise extreme caution at all times to prevent obstacles from striking or interfering with operating controls and persons in the platform.
- Ensure that operators of other overhead and floor level machines are aware of the MEWP's presence. Disconnect power to overhead cranes.
- Do not operate over ground personnel. Warn personnel not to work, stand, or walk under a raised boom or platform. Position barricades on floor if necessary.

1.4 TOWING, LIFTING, AND HAULING

- Never allow personnel in platform while towing, lifting, or hauling.
- This machine should not be towed, except in the event of emergency, malfunction, power failure, or loading/unloading. Refer to the Emergency Procedures section of this manual for emergency towing procedures.
- Ensure boom is in the stowed position and, if equipped, the turntable locked prior to towing, lifting or hauling. The platform must be completely empty of tools.
- When lifting machine, lift only at designated areas of the machine. Lift the unit with equipment of adequate capacity.
- Refer to the Machine Operation section of this manual for lifting information.

1.5 MAINTENANCE

This sub-section contains general safety precautions which must be observed during maintenance of this machine. Additional precautions to be observed during machine maintenance are inserted at the appropriate points in this manual and in the Service and Maintenance Manual. It is of utmost importance that maintenance personnel pay strict attention to these precautions to avoid possible injury to personnel or damage to the machine

or property. A maintenance program must be established by a qualified person and must be followed to ensure that the machine is safe.

Maintenance Hazards

- Shut off power to all controls and ensure that all moving parts are secured from inadvertent motion prior to performing any adjustments or repairs.
- Never work under an elevated platform until it has been fully lowered to the full down position, if possible, or otherwise supported and restrained from movement with appropriate safety props, blocking, or overhead supports.
- DO NOT attempt to repair or tighten any hydraulic hoses or fittings while the machine is powered on or when the hydraulic system is under pressure.
- Always relieve hydraulic pressure from all hydraulic circuits before loosening or removing hydraulic components.

SECTION 1 - SAFETY PRECAUTIONS

- DO NOT use your hand to check for leaks. Use a piece of cardboard or paper to search for leaks. Wear gloves to help protect hands from spraying fluid.



- Use only replacement parts or components that are approved by JLG. To be considered approved, replacement parts or components must be identical or equivalent to original parts or components.
- Never attempt to move heavy parts without the aid of a mechanical device. Do not allow heavy objects to rest in an unstable position. Ensure adequate support is provided when raising components of the machine.
- Do not use machine as a ground for welding.
- When performing welding or metal cutting operations, precautions must be taken to protect the chassis from direct exposure to weld and metal cutting spatter.
- Do not refuel the machine with the engine running.
- Use only approved non-flammable cleaning solvents.

- Do not replace items critical to stability, such as batteries or solid tires, with items of different weight or specification. Do not modify the MEWP in any way to affect stability.
- Refer to the Service and Maintenance Manual for the weights of critical stability items.

WARNING

MODIFICATION OR ALTERATION OF A MEWP SHALL BE MADE ONLY WITH PRIOR WRITTEN PERMISSION FROM THE MANUFACTURER.

Battery Hazards

- Always disconnect batteries when servicing electrical components or when performing welding on the machine.
- Do not allow smoking, open flame, or sparks near battery during charging or servicing.
- Do not contact tools or other metal objects across the battery terminals.
- Always wear hand, eye, and face protection when servicing batteries. Ensure that battery acid does not come in contact with skin or clothing.

CAUTION

BATTERY FLUID IS HIGHLY CORROSIVE. AVOID CONTACT WITH SKIN AND CLOTHING AT ALL TIMES. IMMEDIATELY RINSE ANY CONTACTED AREA WITH CLEAN WATER AND SEEK MEDICAL ATTENTION.

- Charge batteries only in a well ventilated area.
- Avoid overfilling the battery fluid level. Add distilled water to batteries only after the batteries are fully charged.

SECTION 1 - SAFETY PRECAUTIONS

SECTION 2. USER RESPONSIBILITIES, MACHINE PREPARATION, AND INSPECTION

2.1 PERSONNEL TRAINING

The Mobile Elevating Work Platform (MEWP) is a personnel handling device; so it is necessary that it be operated and maintained only by trained personnel.

Operator Training

Operator training must cover:

- 1.** Reading and understanding the Operation and Safety Manual.
- 2.** Thorough understanding of the intended purpose and function of the MEWP controls, including platform, ground, and emergency descent controls.
- 3.** Control labels, instructions, and warnings on the machine.
- 4.** Applicable regulations, standards, and safety rules.
- 5.** Use of approved fall protection equipment.
- 6.** Enough knowledge of the mechanical operation of the machine to recognize a malfunction or potential malfunction.

- 7.** The safest means to operate the machine where overhead obstructions, other moving equipment, and obstacles, depressions, holes, and drop-offs exist.
- 8.** Means to avoid the hazards of unprotected electrical conductors.
- 9.** Selection of the appropriate MEWP and available options for the work to be performed considering specific job requirements, with involvement from the MEWP owner, user, and/or supervisor.
- 10.** The responsibility of the operator to ensure all platform occupants have a basic level of knowledge to work safely on the MEWP, and to inform them of applicable regulations, standards, and safety rules.
- 11.** The requirement for familiarization in addition to training.

Training Supervision

Training must be delivered by a qualified person in an open area free of hazards until the trainee has demonstrated the ability to safely control and operate the machine.

SECTION 2 - USER RESPONSIBILITIES, MACHINE PREPARATION, AND INSPECTION

Operator Responsibility

The operator must be instructed that they have the responsibility and authority to shut down the machine in case of a malfunction or other unsafe condition of either the machine or the job site.

Machine Familiarization

NOTE: *Responsibilities for familiarization may vary by region.*

Only properly trained personnel who have received unit-specific familiarization shall operate a MEWP. The user shall determine if personnel are qualified to operate the MEWP prior to operation. The user shall ensure that after familiarization, the operator operates the MEWP for a sufficient period of time to achieve proficiency. When authorized by the user, self-familiarization can be achieved, if authorized, by a properly trained operator reading, understanding and following the manufacturer's operator's manual.

Prior to users authorization of an operator to use a specific model of MEWP, the user shall ensure the operator is familiarized on the following:

1. Location of the manual storage compartment and the requirement to ensure the required manual(s) are present on the MEWP;

2. Purpose and function of the machine controls and indicators at the platform and ground control stations;
3. Purpose, location, and function of the emergency controls;
4. Operating characteristics and limitations;
5. Features and devices;
6. Accessories and optional equipment.

2.2 PREPARATION, INSPECTION, AND MAINTENANCE

The following table covers machine inspections and maintenance required by JLG Industries, Inc. Consult local regulations for further requirements for MEWPs. Frequency of inspections and maintenance must be increased as necessary when machine is used in a harsh or hostile environment, if machine is used with increased frequency, or if machine is used in a severe manner.

SECTION 2 - USER RESPONSIBILITIES, MACHINE PREPARATION, AND INSPECTION

Table 2-1 Inspection and Maintenance Table

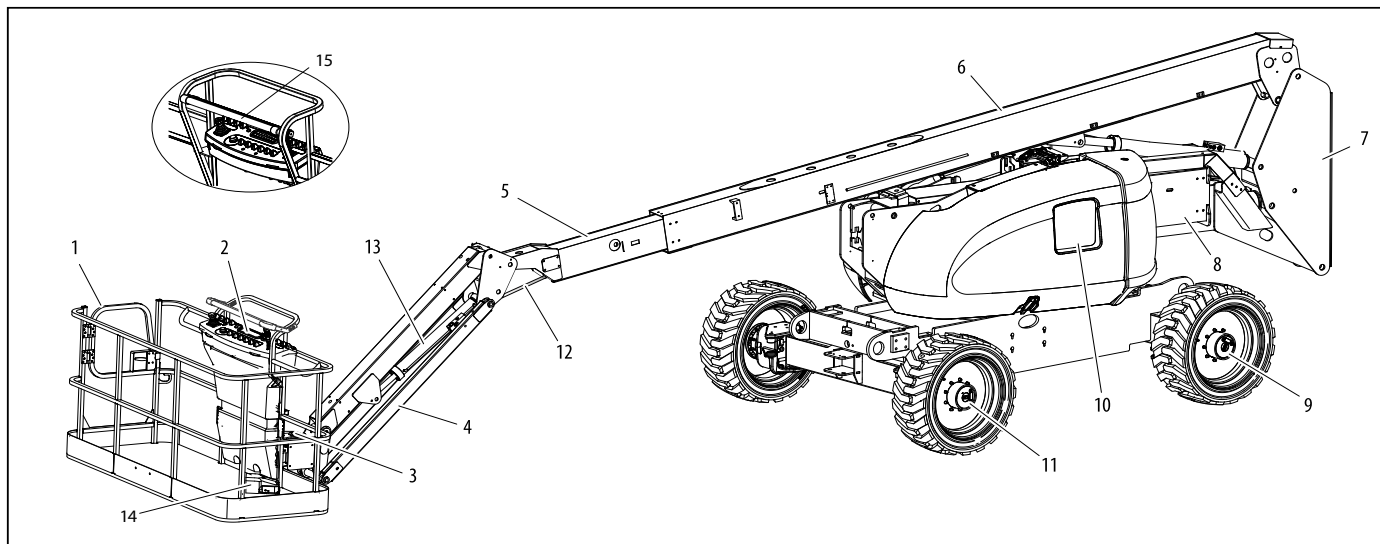
Type	Frequency	Primary Responsibility	Service Qualification	Reference
Pre-Start Inspection	Before using each day; or whenever there's an Operator change.	User or Operator	User or Operator	Operation & Safety Manual
Pre-Delivery Inspection (See Note)	Before each sale, lease, or rental delivery.	Owner, Dealer, or User	Qualified JLG Mechanic	Service and Maintenance Manual and applicable JLG inspection form
Frequent Inspection	In service for 3 months or 150 hours, whichever comes first; or Out of service for a period of more than 3 months; or Purchased used.	Owner, Dealer, or User	Qualified JLG Mechanic	Service and Maintenance Manual and applicable JLG inspection form
Annual Machine Inspection	Annually, no later than 13 months from the date of prior inspection.	Owner, Dealer, or User	Factory Trained Service Technician (Recommended)	Service and Maintenance Manual and applicable JLG inspection form
Preventative Maintenance	At intervals as specified in the Service and Maintenance Manual.	Owner, Dealer, or User	Qualified JLG Mechanic	Service and Maintenance Manual

NOTE: Inspection forms are available from JLG. Use the Service and Maintenance Manual to perform inspections.

NOTICE

JLG INDUSTRIES, INC. RECOGNIZES A FACTORY TRAINED SERVICE TECHNICIAN AS A PERSON WHO HAS SUCCESSFULLY COMPLETED THE JLG SERVICE TRAINING SCHOOL FOR THE SPECIFIC JLG PRODUCT MODEL.

2.3 BASIC NOMENCLATURE

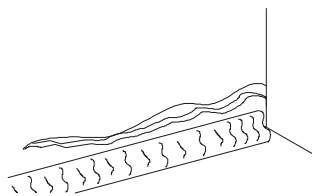


- | | | | |
|-----------------------------|---------------|--------------------------------|-----------------------|
| 1. Platform | 5. Fly Boom | 9. Front Drive/Steer Wheels | 13. Jib Lift Cylinder |
| 2. Platform Control Console | 6. Base Boom | 10. Ground Control Console | 14. Foot Switch |
| 3. Rotator | 7. Upright | 11. Rear Drive Wheels | 15. Sky Guard |
| 4. Jib | 8. Tower Boom | 12. Platform Leveling Cylinder | |

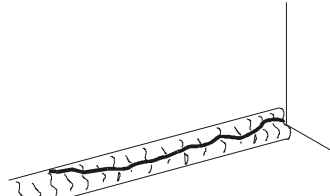
Pre-Start Inspection

The Pre-Start Inspection should include each of the following:

1. **Cleanliness** – Check all surfaces for leakage (oil, fuel, or battery fluid) or foreign objects. Report any leakage to the proper maintenance personnel.
2. **Structure** - Inspect the machine structure for dents, damage, weld or parent metal cracks or other discrepancies.



Parent Metal Crack



Weld Crack

3. **Decals and Placards** – Check all for cleanliness and legibility. Make sure none of the decals and placards are missing. Make sure all illegible decals and placards are cleaned or replaced.
4. **Operation and Safety Manuals** – Make sure a copy of the Operation and Safety Manual, AEM Safety Manual (ANSI markets only), and ANSI Manual of Responsibilities (ANSI markets only) is enclosed in the weather resistant storage container.

5. **Walk-Around Inspection** – Perform as instructed.
6. **Battery** – Charge as required.
7. **Fuel** (Combustion Engine Powered Machines) – Add the proper fuel as necessary.
8. **Engine Oil Supply** - Ensure the engine oil level is at the Full mark on the dipstick and the filler cap is secure.
9. **Hydraulic Oil** – Check the hydraulic oil level. Ensure hydraulic oil is added as required.
10. **Accessories/Attachments** – Refer to the Accessories section in this manual or accessory installed upon the machine for specific inspection, operation, and maintenance instructions.
11. **Function Check** – Once the Walk-Around Inspection is complete, perform a functional check of all systems in an area free of overhead and ground level obstructions. Refer to Section 4 for more specific instructions.
12. **Platform Gate** - Keep gate and surrounding area clean and unobstructed. Verify the gate closes properly and is not bent or damaged. Keep gate closed at all times except when entering/exiting the platform and loading/unloading materials.
13. **Lanyard Attach Points** - During operation, occupants in the platform must wear a full body harness with a lanyard

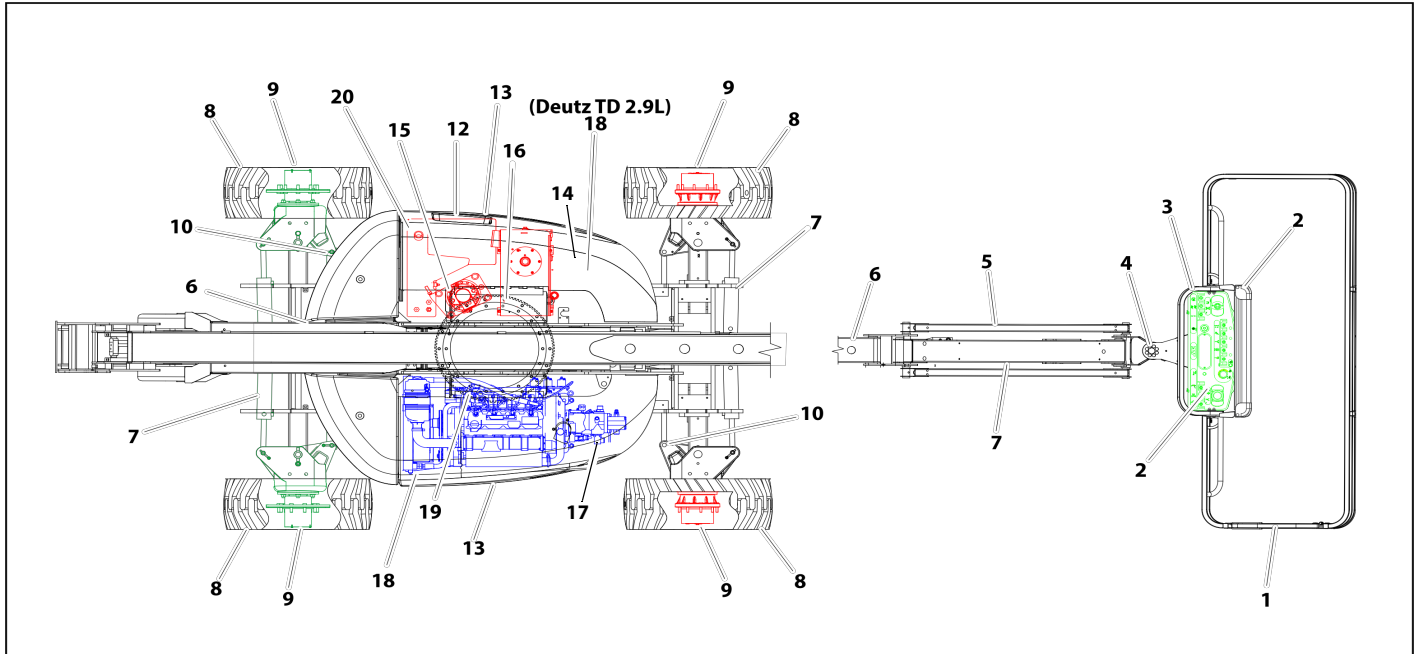
SECTION 2 - USER RESPONSIBILITIES, MACHINE PREPARATION, AND INSPECTION

attached to an authorized lanyard anchorage point. Attach only one (1) lanyard per lanyard anchorage point.

WARNING

IF THE MACHINE DOES NOT OPERATE PROPERLY, TURN OFF THE MACHINE IMMEDIATELY! REPORT THE PROBLEM TO THE PROPER MAINTENANCE PERSONNEL. DO NOT OPERATE THE MACHINE UNTIL IT IS DECLARED SAFE FOR OPERATION.

2.4 WALK-AROUND INSPECTION DIAGRAM



SECTION 2 - USER RESPONSIBILITIES, MACHINE PREPARATION, AND INSPECTION

General

Begin the Walk-Around Inspection at Item 1, as noted on the diagram. Continue checking each item in sequence for the conditions listed in the following checklist.

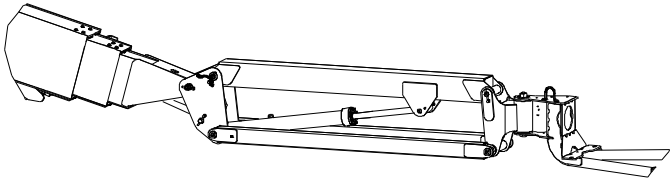
⚠ WARNING

TO AVOID POSSIBLE INJURY BE SURE MACHINE POWER IS OFF. DO NOT OPERATE MACHINE UNTIL ALL MALFUNCTIONS HAVE BEEN CORRECTED.

NOTICE

DO NOT OVERLOOK VISUAL INSPECTION OF CHASSIS UNDERSIDE. CHECKING THIS AREA MAY RESULT IN DISCOVERY OF CONDITIONS WHICH COULD CAUSE EXTENSIVE MACHINE DAMAGE.

INSPECTION NOTE: *On all components, make sure there are no loose or missing parts, that they are securely fastened, and no visible damage, leaks or excessive wear exists in addition to any other criteria mentioned.*

- Platform Assembly and Gate** - Footswitch works properly, not modified, disabled or blocked. Gate latches and hinges in working condition.
 - SkyGuard** - See Inspection Note.
 - Platform Control Console** - Switches and levers return to neutral when activated and released, decals/placards secure and legible, control markings legible.
 - Platform Rotator** - See Inspection Note
- 
- Jib Assembly and Jib Rotator (If Equipped)** - See Inspection Note.
 - Boom Sections/Uprights/Turntable** - See Inspection Note.
 - All Hydraulic Cylinders** - No visible damage; pivot pins and hydraulic hoses undamaged, not leaking.
 - Wheel/Tire Assemblies** - Properly secured, no missing lug nuts. Inspect for worn tread, cuts, tears or other discrepancies. Inspect wheels for damage and corrosion.
 - Drive Motor, Brake, and Hub** - No evidence of leakage.
 - Tie Rod Ends and Steering Spindles** - See Inspection Note.
 - Counterweight** - See Inspection Note.

SECTION 2 - USER RESPONSIBILITIES, MACHINE PREPARATION, AND INSPECTION

12. **Ground Control Console** - Switches and levers return to neutral when activated and released, decals/placards secure and legible, control markings legible.
 13. **Hood Assemblies** - See Inspection Note.
 14. **Auxiliary Hydraulic Pump** - See Inspection Note.
 15. **Swing Motor** - No evidence of damage.
 16. **Turntable Bearing** - Evidence of proper lubrication. No evidence of loose bolts or looseness between bearing and machine.
 17. **Hydraulic Pump and Reservoir** - See Inspection Note.
 18. **Battery** - Batteries have proper electrolyte level; cables tight; see Inspection Note.
 19. **Air Shutoff Valve (ASOV) (If Equipped)** - See Inspection Note.
 20. **Fuel Tank** - See Inspection Note.
- b. Ensure all functions stop when the function switch is released.
 - c. Operate all functions and check all limiting and cut-out switches to ensure proper operation.
 - d. Check auxiliary power and ensure proper operation.
2. From the platform control console:
 - a. Ensure that the control console is firmly secured in the proper location;
 - b. Check that all guards protecting the switches or locks are in place;
 - c. Ensure that all machine functions are disabled when the Emergency Stop Button is pushed in.
 - d. Ensure that all machine functions stop when the footswitch is released.
 - e. Operate all functions and check all limit and cutout switches ensure proper operation.

3. With the platform in the transport (stowed) position:
 - a. Drive the machine on a grade, not to exceed the rated gradeability, and stop to ensure the brakes hold;
 - b. Check the tilt indicator is illuminated to ensure proper operation.

Function Check

Perform the Function Check as follows:

1. From the ground control panel with no load in the platform:
 - a. Ensure that all machine functions are disabled when the Emergency Stop Button is pushed in.

SECTION 2 - USER RESPONSIBILITIES, MACHINE PREPARATION, AND INSPECTION

4. Swing the boom over either of the rear tires and ensure that the Drive Orientation indicator illuminates and that the Drive Orientation Override switch must be used for the drive function to operate.
5. Place the machine in Transport Mode. Ensure machine is positioned on a smooth, firm surface and drive machine with tower boom down and fully retracted, elevate main boom beyond 5° horizontal. Ensure drive speed is reduced while operating.

SkyGuard® Function Test

NOTE: Refer to Section 4.10 for additional information on SkyGuard operation.

From the Platform Console in an area free from obstructions:

1. Operate the telescope out function.
2. Activate the SkyGuard sensor:
 - a. **SkyGuard** - Apply approximately 50 lb. (222 Nm) of force to yellow bar.
 - b. **SkyGuard SkyLine™** - Press cable to break magnetic connection between the cable and right bracket.
 - c. **SkyGuard SkyEye™** - Put arm or hand in path of sensor beam.
3. Once the sensor has been activated, verify the following conditions:
 - a. Telescope out function stops and telescope in function operates for a short duration.
 - b. The horn sounds.
 - c. If equipped with SkyGuard beacon, the beacon illuminates.

NOTE: If SkyGuard is enabled with the Soft Touch system, functions will cut out instead of reversing.

4. Disengage the SkyGuard sensor, release controls, then recycle the footswitch. Ensure normal operation is available.

NOTE: On machines equipped with SkyLine, reattach magnetic end of the cable to the bracket.

If SkyGuard remains activated after function reversal or cutout, depress and hold the SkyGuard Override Switch to allow normal use of machine functions until the sensor is disengaged.

SECTION 2 - USER RESPONSIBILITIES, MACHINE PREPARATION, AND INSPECTION

SECTION 3. MACHINE CONTROLS AND INDICATORS

3.1 GENERAL

NOTICE

THE MANUFACTURER HAS NO DIRECT CONTROL OVER MACHINE APPLICATION AND OPERATION. THE USER AND OPERATOR ARE RESPONSIBLE FOR CONFORMING WITH GOOD SAFETY PRACTICES.

This section provides the necessary information needed to understand control functions.

3.2 CONTROLS AND INDICATORS

NOTE: *The indicator panels use different shaped symbols to alert the operator to different types of operational situations that could arise. The meaning of those symbols are explained below.*



Indicates a potentially hazardous situation, which if not corrected, could result in serious injury or death. This indicator will be red.



Indicates an abnormal operating condition, which if not corrected, may result in machine interruption or damage. This indicator will be yellow.



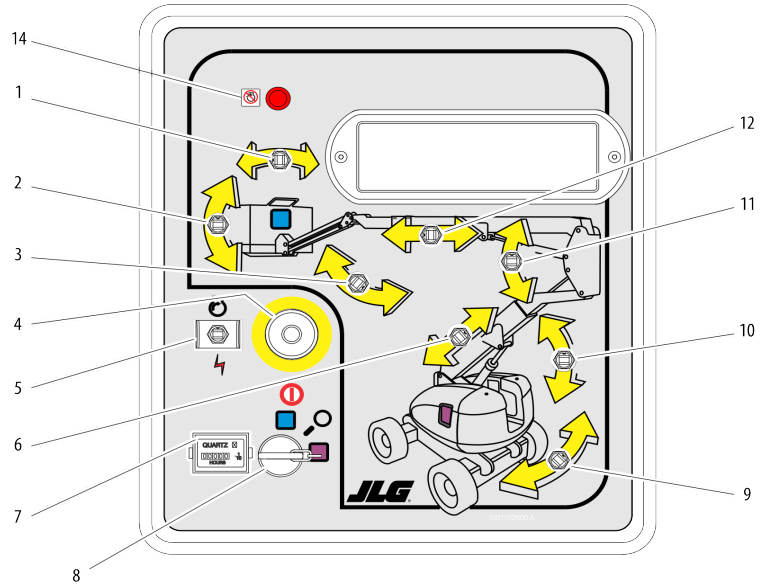
Indicates important information regarding the operating condition, i.e. procedures essential for safe operation. This indicator will be green with the exception of the capacity indicator which will be green, yellow or blue.

SECTION 3 - MACHINE CONTROLS AND INDICATORS

3.3 GROUND CONTROL STATION

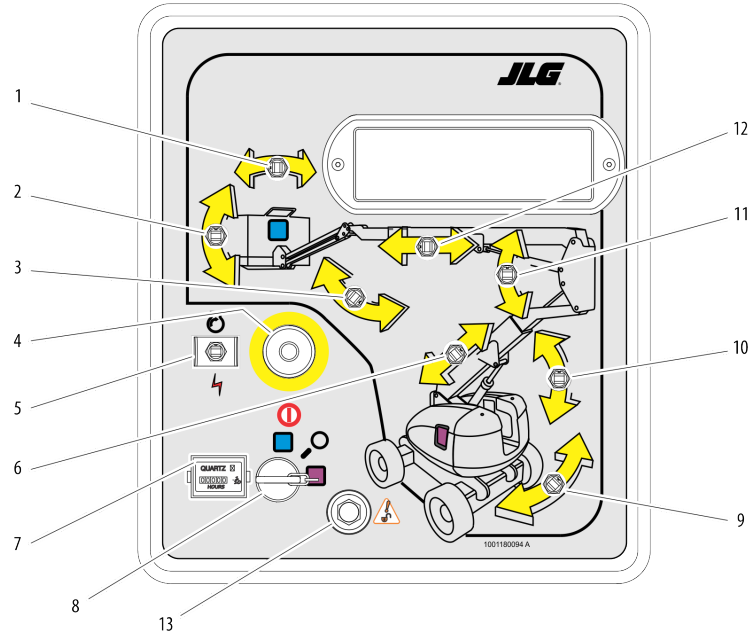
600AJ HC3 without MSSO

1. Platform Rotate
2. Platform Leveling Override
3. Jib
4. Power/Emergency Stop
5. Engine Start/Auxiliary Power
6. Tower Boom Telescope
7. Hourmeter
8. Platform/Ground Select
9. Swing
10. Tower Boom Lift
11. Main Boom Lift
12. Main Boom Telescope
13. Not Used
14. Air Shutoff Valve (ASOV) (If Equipped)



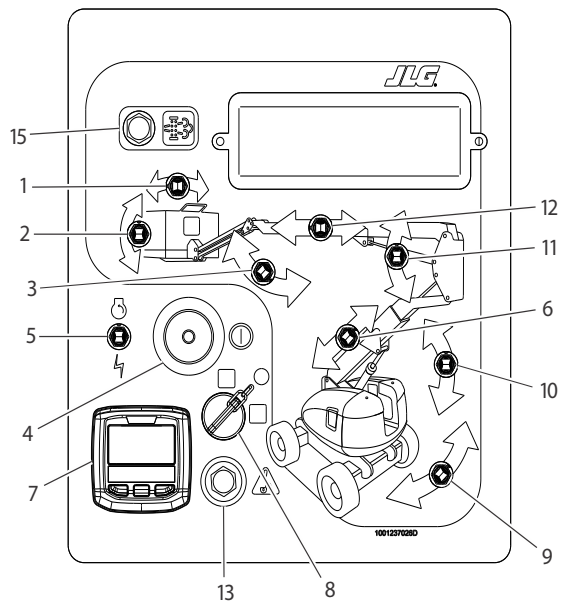
600AJ HC3 with MSSO

1. Platform Rotate
2. Platform Leveling Override
3. Jib
4. Power/Emergency Stop
5. Engine Start/Auxiliary Power
6. Tower Boom Telescope
7. Hourmeter
8. Platform/Ground Select
9. Swing
10. Tower Boom Lift
11. Main Boom Lift
12. Main Boom Telescope
13. Machine Safety System Override (MSSO)



600AJ HC3 with MSSO and PDF

1. Platform Rotate
2. Platform Leveling Override
3. Jib
4. Power/Emergency Stop
5. Engine Start/Auxiliary Power
6. Tower Boom Telescope
7. Hourmeter
8. Platform/Ground Select
9. Swing
10. Tower Boom Lift
11. Main Boom Lift
12. Main Boom Telescope
13. Machine Safety System Override (MSSO)
14. Not Used
15. Diesel Particulate Filter (DPF)



⚠ WARNING

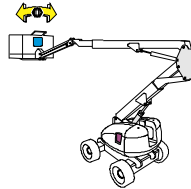
TO AVOID SERIOUS INJURY, DO NOT OPERATE MACHINE IF ANY CONTROL LEVERS OR TOGGLE SWITCHES CONTROLLING PLATFORM MOVEMENT DO NOT RETURN TO THE OFF OR NEUTRAL POSITION WHEN RELEASED.

NOTE: When machine is shut down the Platform/Ground Select switch and Emergency Stop must be positioned to OFF.



1. Platform Rotate

Provides rotation of the platform.

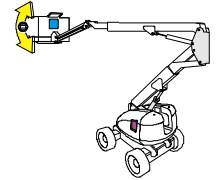


⚠ WARNING

ONLY USE THE PLATFORM LEVELING OVERRIDE FUNCTION FOR SLIGHT LEVELING OF THE PLATFORM. INCORRECT USE COULD CAUSE THE LOAD/OCCUPANT TO SHIFT OR FALL. FAILURE TO DO SO COULD RESULT IN DEATH OR SERIOUS INJURY.

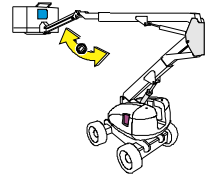
2. Platform Leveling Override

A three position switch allows the operator to adjust the automatic self leveling system. This switch is used to adjust platform level in situations such as ascending/descending a grade.



3. Jib

Provides raising and lowering of the jib.



NOTE: When Power/Emergency Stop switch is in the “On” position and engine is not running, an alarm will sound, indicating Ignition is “On”.

4. Power/Emergency Stop Switch

A two-position red mushroom shaped switch supplies power to Platform/Ground Select switch when pulled out (on). When pushed in (off), power is shut off to the Platform/Ground Select switch.



SECTION 3 - MACHINE CONTROLS AND INDICATORS

NOTICE

ALWAYS POSITION EMERGENCY STOP SWITCH TO THE 'OFF' POSITION (PUSHED IN) WHEN MACHINE IS NOT IN USE.

NOTE: *On machines with diesel engines, when Glow Plug Indicator is lighted (Yellow), wait until light goes out before cranking engine.*

5. Engine Start/ Auxiliary Power Switch

To start the engine, the switch must be held "Up" until the engine starts.



To use auxiliary power, the switch must be held "Down" for duration of auxiliary pump use.

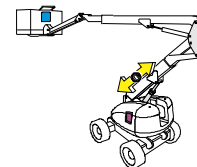


CAUTION

WHEN OPERATING ON AUXILIARY POWER, DO NOT OPERATE MORE THAN ONE FUNCTION AT A TIME. (SIMULTANEOUS OPERATION CAN OVERLOAD THE AUXILIARY PUMP MOTOR.)

6. Tower Boom Telescope

This switch provides extending and retracting of the tower boom. This function works only when the tower boom is fully elevated (lift up).

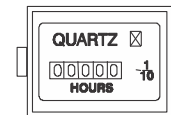


WARNING

TO AVOID UPSET AND SERIOUS INJURY, DO NOT OPERATE MACHINE IF TOWER LIFT AND TELESCOPE FUNCTIONS DO NOT OPERATE IN THE ABOVE SEQUENCE.

7. Hourmeter

Registers the amount of time the machine has been in use, with engine running. By connecting into the oil pressure circuit of the engine, only engine run hours are recorded. The hourmeter registers up to 9,999.9 hours and cannot be reset.



NOTE: *When the Platform/Ground Select Switch is in the center position, power is shut off to the controls at both operating stations. Remove the key to prevent the controls from being actuated.*



SECTION 3 - MACHINE CONTROLS AND INDICATORS

8. Platform/Ground Select Switch

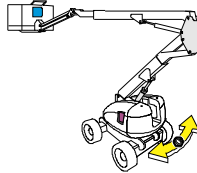
The three position, key operated switch supplies power to the platform control console when positioned to Platform. With the switch key turned to the Ground position only ground controls are operable.



NOTE: When the Platform/Ground Select Switch is in the center position, power is shut off to the controls at both operating stations. Remove the key to prevent the controls from being actuated.

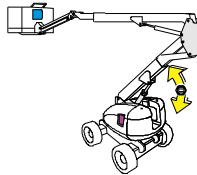
9. Swing Control

Provides 360 degrees continuous turntable rotation.



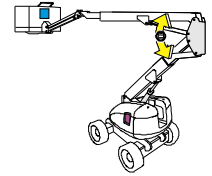
10. Tower Boom Lift

This switch provides raising and lowering of the tower boom. This function works only when the tower boom is fully retracted.



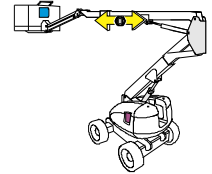
11. Main Boom Lift Control

Provides raising and lowering of the main boom.



12. Main Boom Telescope Control

Provides extension and retraction of the main boom.



SECTION 3 - MACHINE CONTROLS AND INDICATORS

- 13.** Machine Safety System Override (MSSO)
(If Equipped)

Provides emergency override of function controls that are locked out in the event of Load Sense System activation.



- 14.** Air Shutoff Valve (ASOV) (If Equipped)

The red LED ASOV light indicates when the valve has been actuated.

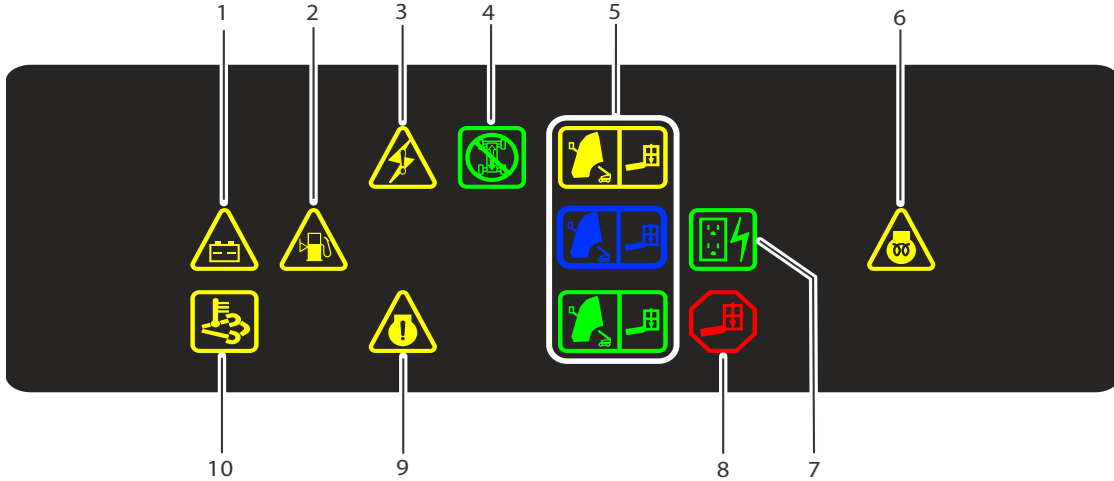


- 15.** Diesel Particulate Filter (DPF) (If Equipped)

This button initiates the standstill exhaust system cleaning.



3.4 GROUND CONTROL INDICATOR PANEL



- | | | |
|--------------------------------|----------------------------|---------------------------|
| 1. Battery Charge | 5. Capacity Zone Indicator | 9. Engine Error |
| 2. Low Fuel (Ford DF2.5L Only) | 6. Glow Plug | 10. Emissions Temperature |
| 3. System Distress | 7. Generator | |
| 4. Drive and Steer Disable | 8. Platform Overload | |

SECTION 3 - MACHINE CONTROLS AND INDICATORS

1. Battery Charge Indicator

Indicates a problem in the battery or charging circuit, and service is required.



2. Low Fuel Warning Indicator (Ford DF 2.5L Only)

Indicates the fuel in the fuel tank is low.



3. System Distress Indicator

The light indicates that the JLG Control System has detected an abnormal condition and a Diagnostic Trouble Code has been set in the system memory. Refer to the Service Manual for instructions concerning the trouble codes and trouble code retrieval.



The system distress indicator light will illuminate for 2-3 seconds when the key is positioned to the ON position to act as a self test.

4. Drive and Steer Disable Indicator

Indicates the Drive and Steer Disable function has been activated.



5. Capacity Zone Indicator

Indicates the platform capacity zone for the current position of the platform. Restricted capacities are permitted at restricted platform positions (shorter boom lengths and higher boom angles).



NOTE: Refer to the capacity decals on the machine for restricted and unrestricted platform capacities.

6. Glow Plug Indicator

Indicates the glow plugs are on. The glow plugs are automatically turned on with the ignition circuit and remain on for approximately seven seconds. Start the engine only after the light goes out.



7. AC Generator Indicator

Indicates the generator is in operation.



8. Platform Overload Indicator

Indicates the platform has been overloaded.



9. Engine Error Indicator

Indicates a fault with the engine and service is required or is requesting a cleaning sequence.



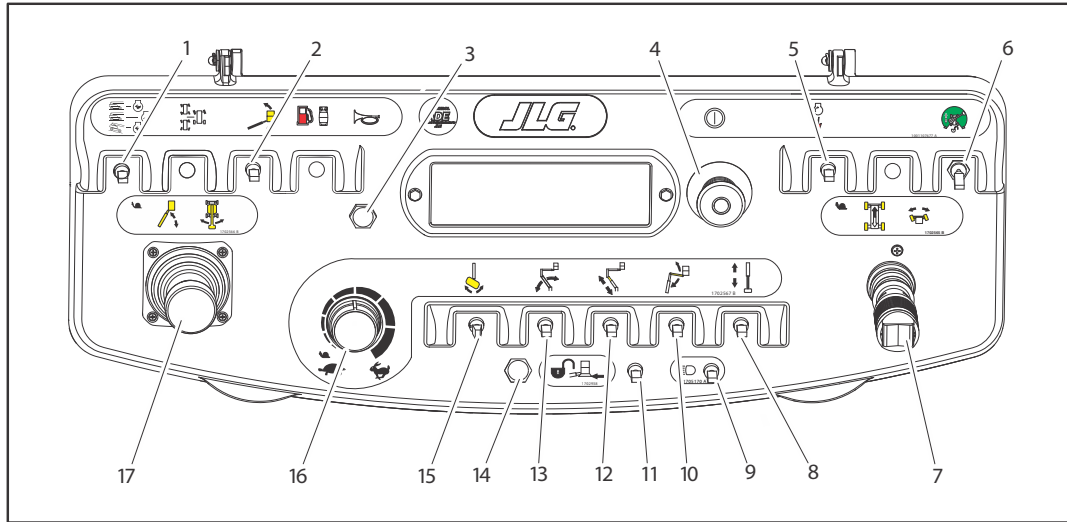
10. Emissions Temperature Indicator

Indicator illuminates when exhaust temperature reaches 1022° F (550° C).



SECTION 3 - MACHINE CONTROLS AND INDICATORS

3.5 PLATFORM CONTROL CONSOLE



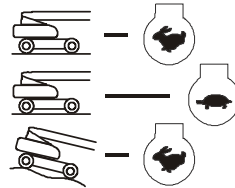
- | | | | |
|-------------------------------|-------------------------------|---|--------------------------------|
| 1. Drive Speed/Torque Select | 6. Drive Orientation Override | 11. Soft Touch/SkyGuard/SkySense Override | 15. Platform Rotate |
| 2. Platform Leveling Override | 7. Drive/Steer | 12. Tower Telescope | 16. Function Speed Control |
| 3. Horn | 8. Main Boom Telescope | 13. Tower Lift | 17. Main Lift/Swing Controller |
| 4. Power/Emergency Stop | 9. Lights | 14. Soft Touch/SkyGuard Indicator/SkySense Mute | |
| 5. Start/Auxiliary Power | 10. Jib | | |

⚠ WARNING

TO AVOID SERIOUS INJURY, DO NOT OPERATE MACHINE IF ANY CONTROL LEVERS OR TOGGLE SWITCHES CONTROLLING PLATFORM MOVEMENT DO NOT RETURN TO THE OFF OR NEUTRAL POSITION WHEN RELEASED.

1. Drive Speed/Torque Select

The machine has a three position switch - The forward position gives maximum drive speed. The back position gives maximum torque for rough terrain and climbing grades. The center position allows the machine to be driven as quietly as possible.



⚠ WARNING

ONLY USE THE PLATFORM LEVELING OVERRIDE FUNCTION FOR SLIGHT LEVELING OF THE PLATFORM. INCORRECT USE COULD CAUSE THE LOAD/OCCUPANTS TO SHIFT OR FALL. FAILURE TO DO SO COULD RESULT IN DEATH OR SERIOUS INJURY.

2. Platform Leveling Override

A three position switch allows the operator to adjust the automatic self leveling system. This switch is used to adjust platform level in situations such as ascending/descending a grade.



3. Horn

A push-type Horn switch supplies electrical power to an audible warning device when pressed.



4. Power/Emergency Stop Switch

A two-position red mushroom shaped switch furnishes power to Platform Controls when pulled out (on). When pushed in (off), power is shut off to the platform functions.



5. Start/Auxiliary Power

When pushed forward, the switch energizes the starter motor to start the engine.



The Auxiliary Power control switch energizes the electrically operated hydraulic pump. (Switch must be held on for duration of auxiliary pump use.)



The auxiliary pump functions to provide sufficient oil flow to operate the basic machine functions should the main pump or engine fail. The auxiliary pump will operate tower boom lift, tower telescope, main boom lift, main telescope and swing.

SECTION 3 - MACHINE CONTROLS AND INDICATORS

6. Drive Orientation Override

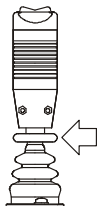
When the boom is swung over the rear tires or further in either direction, the Drive Orientation indicator will illuminate when the drive function is selected. Push and release the switch, and within 3 seconds move the Drive/Steer control to activate drive or steer. Before driving, locate the black/white orientation arrows on both the chassis and the platform controls. Move the drive controls in a direction matching the directional arrows for the intended direction of travel.



! WARNING

TO AVOID SERIOUS INJURY, DO NOT OPERATE MACHINE IF ANY CONTROL LEVERS OR TOGGLE SWITCHES CONTROLLING PLATFORM MOVEMENT DO NOT RETURN TO THE OFF OR NEUTRAL POSITION WHEN RELEASED.

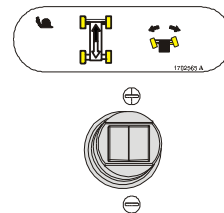
NOTE: To operate the Drive joystick, pull up on the locking ring below the handle.



NOTE: The Drive joystick is spring loaded and will automatically return to neutral (off) position when released.

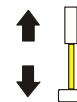
7. Drive/Steer

Push forward to drive forward, pull back to drive in reverse. Steering is accomplished via a thumb-activated rocker switch on the end of the steer handle.



8. Main Boom Telescope

Provides extension and retraction of the main boom.



9. Lights (If Equipped)

This switch operates the accessory lights package if the machine is so equipped.



NOTE: The ignition switch does not have to be on to operate the lights, so care must be taken to avoid draining the battery if left unattended. The master switch and/or the ignition switch at the ground control will turn off power to all lights.

10. Jib Lift

Provides raising and lowering of the upright and lower booms.



11. Soft Touch/SkyGuard/SkySense Override Switch

For machines equipped with SkyGuard:

The SkyGuard override switch enables functions cut out by the Skyguard system to be operated again, allowing the operator to resume use of machine functions.



For machines equipped with both SkyGuard and Soft Touch:

The switch operates like the SkyGuard override switch as described above. The switch also enables the functions cut out by the Soft Touch system to operate again at creep speed, allowing the operator to move the platform away from the obstacle that caused the shut-down situation.



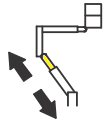
For machines equipped with both SkyGuard and SkySense:

The switch operates like the SkyGuard override switch as described above. The switch also enables the functions cut out by the SkySense system to operate again at creep speed, allowing the operator to move the platform closer to the obstacle that caused the shut-down situation if desired.



12. Tower Telescope

This switch provides for extending and retracting of the tower boom when positioned in or out. Tower Telescope must be fully retracted before operating Tower Lift. (Tower Telescope should not function when Tower Lift is not fully elevated “up”).



⚠ WARNING

TO AVOID UPSET AND SERIOUS INJURY, DO NOT OPERATE MACHINE IF TOWER LIFT AND TELESCOPE DO NOT OPERATE IN THE ORDER DESCRIBED ABOVE.

SECTION 3 - MACHINE CONTROLS AND INDICATORS

13. Tower Lift

This switch provides for raising and lowering of the tower boom when positioned to “up” or “down”. Tower Lift must be fully elevated “up” before operating Tower Telescope. (Tower Lift should not function when Tower Telescope is extended).



⚠ WARNING

TO AVOID UPSET AND SERIOUS INJURY, DO NOT OPERATE MACHINE IF TOWER LIFT AND TELESCOPE DO NOT OPERATE IN THE ORDER DESCRIBED ABOVE.

14. Soft Touch/SkyGuard Indicator/SkySense Mute

Indicates the Soft Touch bumper is against an object or the SkyGuard sensor has been activated. All controls are cut out until the override button is pushed. For Soft Touch, controls are then active in the Creep Mode or for SkyGuard, controls will work normally.

If machine is equipped with SkySense, the switch will mute the SkySense speakers.



15. Platform Rotate

Provides rotation of the platform.



⚠ CAUTION

DO NOT OPERATE MACHINE IF DRIVE SPEED /TORQUE SELECT OR FUNCTION SPEED SWITCHES OPERATE WHEN BOOM IS ABOVE HORIZONTAL.

16. Function Speed Control

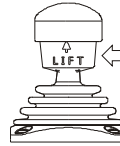
This control knob affects the speed of the Telescope, Jib Lift, Tower Lift, and Tower Telescope, and Platform Rotate functions.



NOTE: *During platform rotation, a speed difference may not be noticeable by the operator.*

Turning the knob all the way counterclockwise until it clicks puts the machine into Creep Mode. Creep Mode puts the functions listed above, as well as the Drive/Steer and Main Lift/Swing functions into the slowest speed setting.

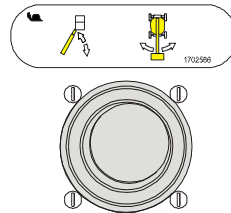
NOTE: To operate the Main Boom Lift/Swing joystick, pull up on the locking ring below the handle.



NOTE: The Main Boom Lift/Swing joystick is spring loaded and will automatically return to neutral (off) position when released.

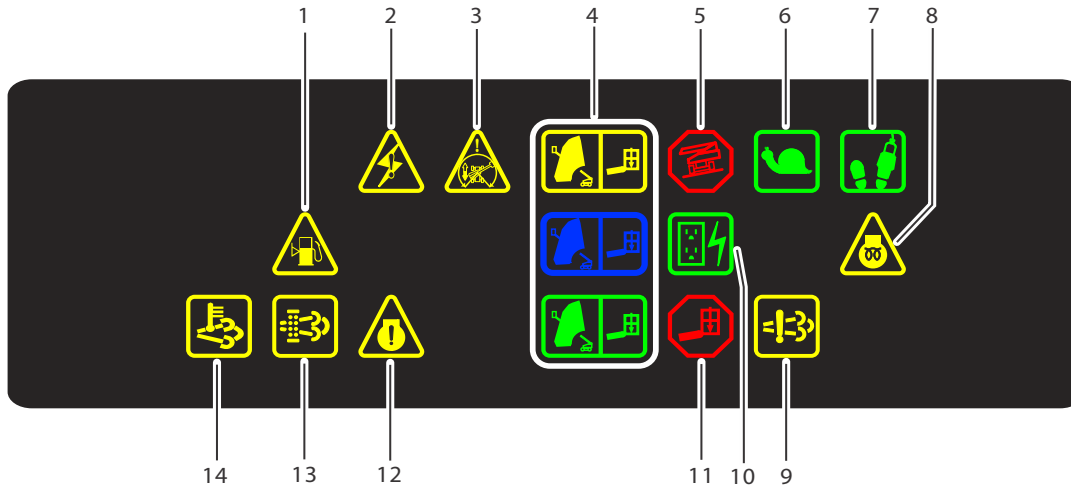
17. Main Lift/Swing Controller

Provides main lift and swing. Push forward to lift up, pull backward to boom down. Move right to swing right, move left to swing left.



SECTION 3 - MACHINE CONTROLS AND INDICATORS

3.6 PLATFORM CONTROL INDICATOR PANEL



- | | | | |
|--------------------------------|-----------------------|------------------------------------|---|
| 1. Low Fuel (Ford DF2.5L Only) | 5. Tilt Alarm/Warning | 9. Engine Emissions System Failure | 13. Diesel Particulate Filter Indicator |
| 2. System Distress | 6. Creep | 10. Generator | 14. Emissions Temperature |
| 3. Drive Orientation | 7. Footswitch | 11. Platform Overload | |
| 4. Capacity Zone Indicator | 8. Glow Plug | 12. Engine Error | |

SECTION 3 - MACHINE CONTROLS AND INDICATORS

1. Low Fuel Warning Indicator (Ford DF 2.5L Only)

Indicates the fuel in the fuel tank is low.



2. System Distress Indicator

The light indicates that the JLG Control System has detected an abnormal condition and a Diagnostic Trouble Code has been set in the system memory. Refer to the Service Manual for instructions concerning the trouble codes and trouble code retrieval.



3. Drive Orientation Indicator

When the boom is swung beyond the rear drive tires or further in either direction, the Drive Orientation indicator will illuminate when the drive function is selected. This is a signal for the operator to verify that the drive control is being operated in the proper direction (i.e. controls reversed situations).



4. Capacity Zone Indicator

Indicates the maximum platform capacity zone for the current position of the platform. Restricted capacities are permitted at restricted platform positions (shorter boom lengths and higher boom angles).



NOTE: Refer to the capacity decals on the machine for restricted and unrestricted platform capacities.

5. Tilt Warning Light and Alarm

This red illuminator indicates that the chassis is on a slope. If the boom is above horizontal and the machine is on a slope, the tilt alarm warning light will illuminate, an alarm will sound, available functions are placed in CREEP speed, and drive is cut out in direction of travel. Drive in the opposite direction may be allowed under certain conditions.



Tilt Angle	Market
5°	All Markets

SECTION 3 - MACHINE CONTROLS AND INDICATORS

WARNING

IF TILT WARNING LIGHT IS ILLUMINATED WHEN BOOM IS RAISED OR EXTENDED, RETRACT AND LOWER TO BELOW HORIZONTAL THEN REPOSITION MACHINE SO THAT IT IS WITHIN THE LIMITS OF THE MAXIMUM OPERATING SLOPE BEFORE EXTENDING BOOM OR RAISING BOOM ABOVE HORIZONTAL.

NOTE: *When the tilt sensor alarm is activated the Drive function will be disabled if the boom is elevated above horizontal.*

6. Creep Speed Indicator

When the Function Speed Control is turned to the creep position, the indicator acts as a reminder that all functions are set to the slowest speed.



7. Footswitch/Enable Indicator

To operate any function, the footswitch must be depressed and the function selected within seven seconds. The enable indicator shows that the controls are enabled. If a function is not selected within seven seconds, or if a seven second lapse between ending one function and beginning the next function, the enable light will go out and the footswitch must be released and depressed again to enable the controls.



Releasing the footswitch removes power from all controls and applies the drive brakes.

WARNING

TO AVOID SERIOUS INJURY, DO NOT REMOVE, MODIFY OR DISABLE THE FOOTSWITCH BY BLOCKING OR ANY OTHER MEANS.

8. Glow Plug Indicator

Indicates the glow plugs are operating. After turning on ignition, wait until light goes out before cranking engine.



9. Engine Emissions System Failure Indicator

Icon illuminates when there is a fault with the Emissions After Treatment system.



SECTION 3 - MACHINE CONTROLS AND INDICATORS

10. AC Generator Indicator

Indicates the generator is in operation.



11. Platform Overload Indicator

Indicates the platform has been overloaded.



12. Engine Error Indicator

Indicates a fault with the engine and service is required.



13. Diesel Particulate Filter (DPF) Indicator

Icon will illuminate when standstill exhaust system cleaning is required.



14. Emissions Temperature Indicator

Icon illuminates when the engine emissions control sensor reaches a high temperature.



SECTION 4. MACHINE OPERATION

4.1 DESCRIPTION

This machine is a Mobile Elevating Work Platform (MEWP) used to position personnel, along with their necessary tools and materials at work locations.

The primary operator control station is in the platform. From this control station, the operator can drive and steer the machine in both forward and reverse directions. The operator can raise or lower the main or tower boom or swing the boom to the left or right. Standard boom swing is 360 degree continuous left and right of the stowed position. The machine has a Ground Control Station. Ground Controls operate all functions except drive and steer. Except for performing inspections and the Function Check, the ground controls are to be used in an emergency to lower the platform to the ground should the operator in the platform be unable to do so.

4.2 OPERATING CHARACTERISTICS AND LIMITATIONS

Capacities

The boom can be raised above horizontal with or without any load in platform, if:

1. Machine is positioned on a smooth, firm surface within the limits of the maximum operating slope.
2. Load is within manufacturer's rated capacity.
3. All machine systems are functioning properly.
4. Machine is as originally equipped from JLG.

Platform Load Sensing System (LSS)

The Platform Load Sensing System provides the platform capacity to the control system. The control system will light the applicable capacity zone light in both the platform control box and the ground control station based on the value observed by the LSS system.

The control system determines which capacity zone [Unrestricted 660 lb (300 kg) or Restricted 750 lb (340kg) or Restricted 1000 lb (450 kg)] the platform can be operated in. If the operator attempts to cross the boundary of the current zone and enter the next zone of lessor or no restriction with more weight in the platform than what is allowed, the machine will stop at the boundary of the current zone and not enter the zone of lessor or no restriction. At this point, the control system will only allow the boom telescope function to retract and will only allow the boom lift function to lift up.

SECTION 4 - MACHINE OPERATION

When the LSS system senses a platform load equal to or less than 660 lb (300 kg), platform position is unrestricted within the envelope boundaries.

If the LSS system senses an overload condition, boom functions will be disabled and the overload alarm will sound at the platform.

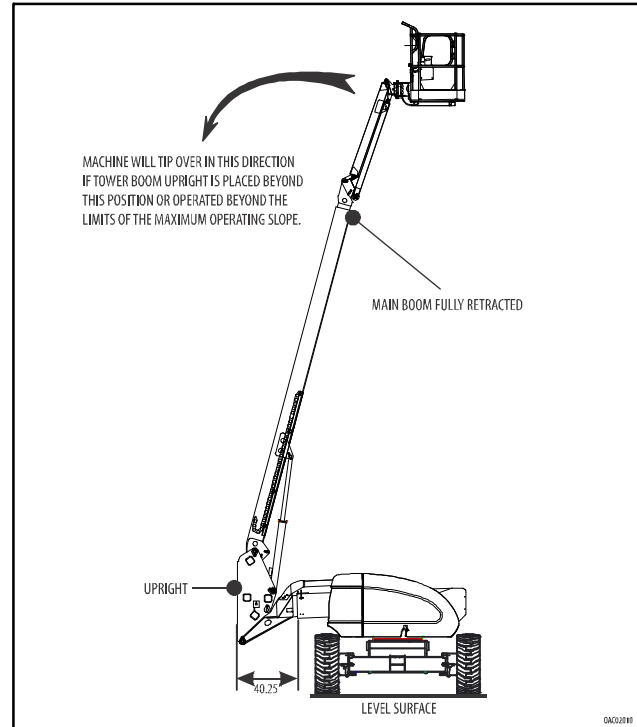
Stability

Machine stability is based on two positions which are called FORWARD and BACKWARD stability. The machine's position of least FORWARD stability is shown in "Position of Least Forward Stability" on page 3, and its position of least BACKWARD stability is shown in "Position of Least Backward Stability" on page 2.

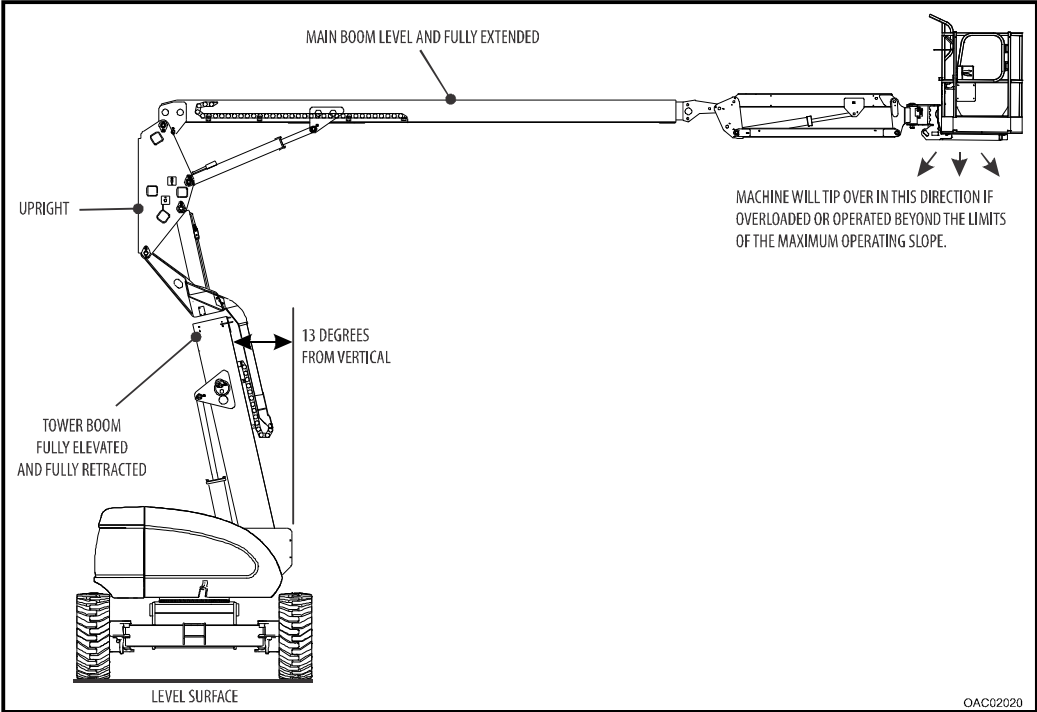
⚠ WARNING

TO AVOID FORWARD OR BACKWARD TIPPING, DO NOT OVERLOAD MACHINE OR OPERATE THE MACHINE BEYOND THE LIMIT OF THE MAXIMUM OPERATING SLOPE.

Position of Least Backward Stability

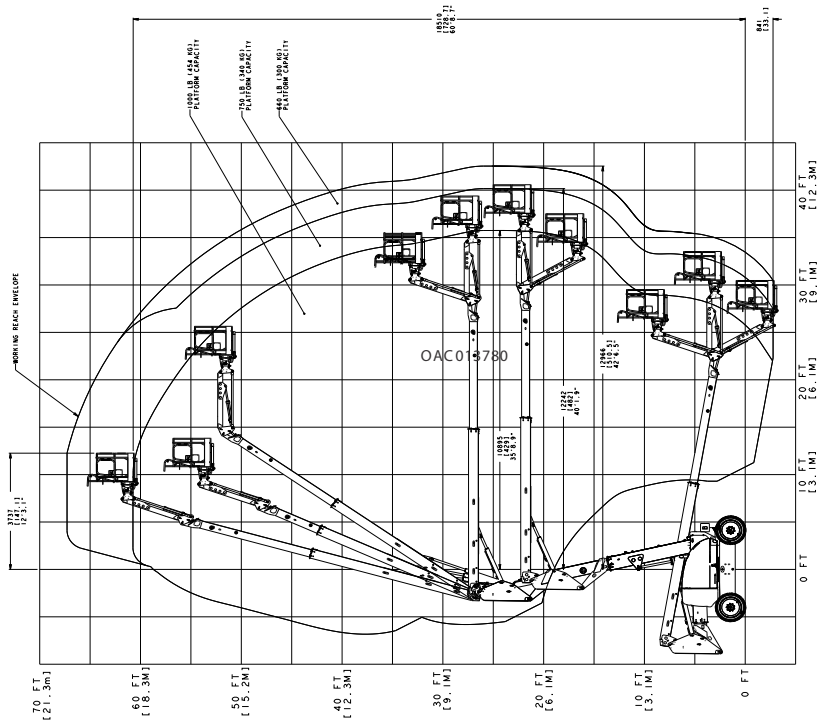


Position of Least Forward Stability



SECTION 4 - MACHINE OPERATION

Reach Chart



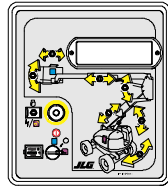
4.3 ENGINE OPERATION

NOTE: When operating a machine at high altitudes, a decrease in machine performance may occur due to a decrease in air density.

NOTE: When operating a machine at high ambient temperatures, a decrease in machine performance and an increase in engine coolant temperature may occur.

NOTE: Contact JLG Customer Service for operation under abnormal conditions.

NOTE: Initial starting should always be performed from the Ground Control station.



Starting Procedure

CAUTION

IF ENGINE FAILS TO START PROMPTLY, DO NOT CRANK FOR AN EXTENDED TIME. SHOULD ENGINE FAIL TO START AGAIN, ALLOW STARTER TO "COOL OFF" FOR 2-3 MINUTES. IF ENGINE FAILS AFTER SEVERAL ATTEMPTS, REFER TO ENGINE MAINTENANCE MANUAL.

NOTE: Diesel engines only: After turning on ignition, operator must wait until glow plug indicator light goes out before cranking engine.

1. Turn key of Platform/Ground Select switch to Ground.
2. Pull the Power/Emergency Stop switch to On.
3. Push the Engine Start switch until engine starts.



SECTION 4 - MACHINE OPERATION

CAUTION

ALLOW ENGINE TO WARM-UP FOR A FEW MINUTES AT LOW SPEED BEFORE APPLYING ANY LOAD.

4. After engine has had sufficient time to warm up, push in the Power/Emergency Stop switch and shut engine off.



5. Turn Platform/Ground Select switch to Platform.



6. From Ground Control Console, pull Power/Emergency Stop switch out.



7. From Platform, pull Power/Emergency Stop switch out.



8. Push the Engine Start switch until engine starts.



NOTE: Footswitch must be in released (up) position before starter will operate. If starter operates with footswitch in the depressed position, DO NOT OPERATE MACHINE.

Shutdown Procedure

CAUTION

IF AN ENGINE MALFUNCTION CAUSES AN UNSCHEDULED SHUTDOWN, DETERMINE THE CAUSE AND CORRECT IT BEFORE RESTARTING THE ENGINE.

1. Remove all load and allow engine to operate at low speed for 3-5 minutes; this allows further reduction of internal engine temperature.
2. Push Power/Emergency Stop switch in.



3. Turn Platform/Ground Select switch to Off.

NOTE: Refer to Engine Manufacturer's manual for detailed information.



Air Shutoff Valve (ASOV) (If Equipped)

Air Shutoff Valve (ASOV) is an overspeed protection device mounted to the engine's air intake system. When the valve is actuated, it obstructs airflow intake and stops the engine. Weekly tests are recommended to ensure the valve remains in good working condition.

1. Start the engine, running at idle.
2. Open the red switch guard on ASOV test switch, then activate toggle to test mode.

NOTE: Test switch is located under hood to the left of the ground control panel (look for test decal).



3. At the ground control panel, select any function and activate until valve actuates at test RPM of 1500. Once valve actuates, engine will stop.
4. Turn ignition to OFF.
5. Visually inspect valve to ensure it appears in good condition.
6. Reset valve by rotating valve handle to the Open position.

NOTE: The handle cannot be turned unless the machine is off. Ensure the ignition is moved to the OFF position.

⚠ WARNING

DO NOT USE ASOV AS AN ALTERNATIVE TO SHUTTING DOWN MACHINE PROPERLY.

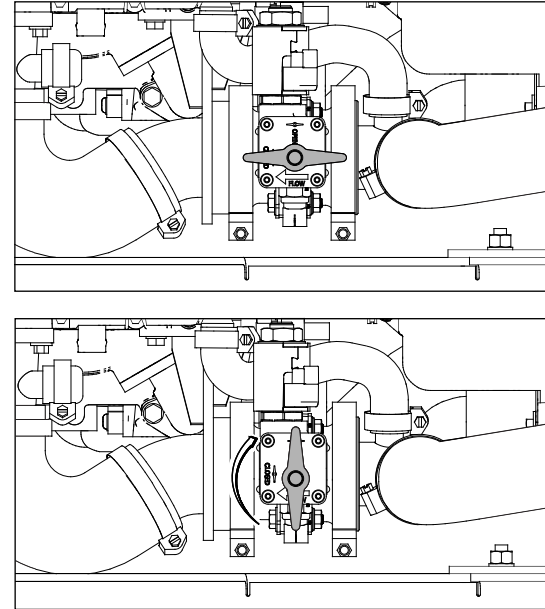


Figure 4-1. ASOV Reset (Closed to Open Position)

Fuel Reserve / Shut-Off System

NOTE: Reference the Service and Maintenance Manual along with a qualified JLG Mechanic to verify your machine setup.

The Fuel Shutoff System monitors the fuel in the tank and senses when the fuel level is getting low. The JLG Control System automatically shuts the engine down before the fuel tank is emptied unless the machine is set up for Engine Restart.

If fuel level reaches the Empty range, the Low Fuel light will begin to flash once a second and there will be approximately 60 minutes of engine run time left. If the system is in this condition and automatically shuts down the engine or if the operator manually shuts down the engine before the 60 minute run time is complete, the Low Fuel light will flash 10 times a second and the engine will react according to machine setup. Setup options are as follows:



- Engine One Restart - When the engine shuts down, the operator will be permitted to cycle power and restart the engine once with approximately 2 minutes of run time. After the 2 minute run time is complete or if the engine is shut down by the operator prior to the completion of the 2 minute run time, it cannot be restarted until fuel is added to the tank.

- Engine Restart - When the engine shuts down, the operator will be permitted to cycle power and restart the engine for approximately 2 minutes of run time. After the 2 minutes of run time is complete, the operator may cycle power and restart the engine for an additional 2 minutes of run time. The operator can repeat this process until there is no more fuel available.

NOTICE

CONTACT A QUALIFIED JLG MECHANIC IF THE MACHINE NEEDS RESTARTED AFTER NO MORE FUEL IS AVAILABLE.

- Engine Stop - When the engine shuts down, no restarts will be permitted until fuel is added to the tank.

4.4 DIESEL PARTICULATE FILTER (IF EQUIPPED)

Diesel Particulate Filter (DPF) is an emissions control system used in diesel engines and requires operator interaction to make sure proper operation of the system.

For peak operation, the DPF system must be cleaned using one of two methods, Standstill Cleaning and Maintenance Standstill Cleaning. Standstill Cleaning is any cleaning requested by the engine outside of the regular maintenance window (for example, if the system detects excessive soot in the DPF canister). Maintenance Standstill Cleaning is cleaning requested by the engine on the regular maintenance interval.

NOTE: *The system will reset the maintenance interval back to zero hours after Standstill or Maintenance Standstill Cleaning events are performed.*

Standstill Cleaning

The following conditions must be met to perform Standstill Cleaning.

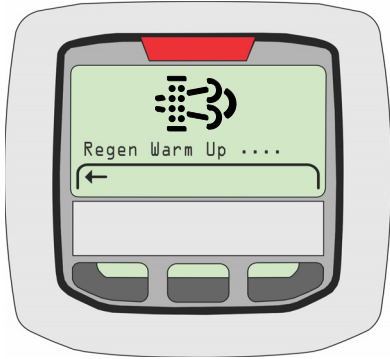
- Machine must be stationary
- Boom in the stowed position
- No personnel in platform
- Engine must be idling
- Coolant temperature must be above 104° F (40° C)
- Machine in Ground Station mode

1. The Diesel Particulate Filter (DPF) Indicator on the Platform Control Panel will flash when standstill cleaning is required.
2. Move the machine to an suitable area free of flammables and personnel that could be exposed to hot exhaust.

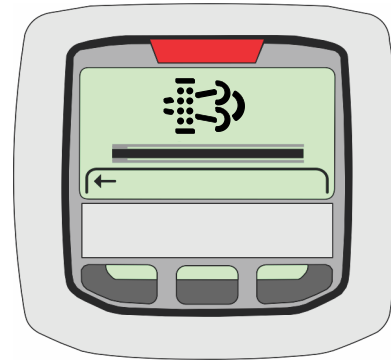
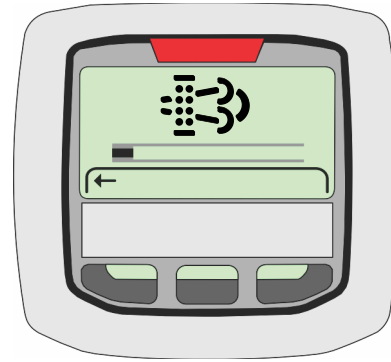


SECTION 4 - MACHINE OPERATION

3. Launch the cleaning process by pressing the DPF button on the Ground Console for 3 seconds. The Indicator Gauge will display the following screen.



4. The Main Cleaning process will begin and last for approximately 30 to 60 minutes. The following screen will show that the process has begun and includes a status bar that indicates the progress of the cleaning process.



5. After the cleaning process is complete, the engine will run for approximately 5 minutes to allow the engine and Exhaust After Treatment (EAT) to cool down. The Indicator Gauge will display the "Regen Complete" screen as shown and the Emissions Temperature indicator will no longer be illuminated.



Maintenance Standstill Cleaning Initiation Methods

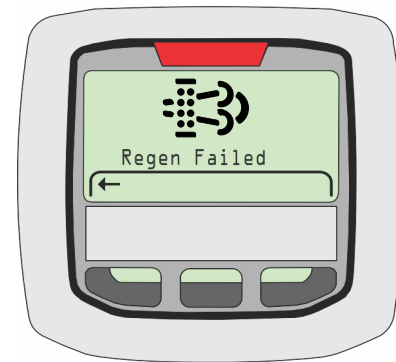
Maintenance Standstill Cleaning can be started by one of two methods, by using the Analyzer or the DPF button on the Ground Console. All the same conditions as outlined under Standstill Cleaning must be met.

Canceling Maintenance Standstill

Maintenance Standstill Cleaning will be stopped immediately if:

- The Platform/Ground Select switch is switched from Ground to Platform mode
- Any function switch is enabled to perform a boom function
- The Engine is powered down

If Maintenance Standstill Cleaning is interrupted, it must be re-initiated and the Indicator Gauge will display the "Regen Failed" screen as shown.

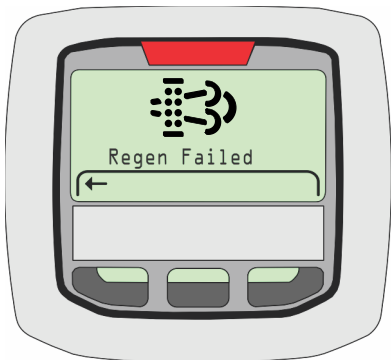


Unsuccessful Cleaning Event

If there is an unsuccessful cleaning event, the DPF icon will show on the display gauge. Possible causes of an Unsuccessful Cleaning Event are:

- Engine is not warmed up
- DEF tank is frozen
- Machine functions operated during cleaning event in progress
- Other engine faults are active

The Gauge will display "Regen Failed" screen as shown. If the cleaning event has failed, the process must be repeated.



DPF Filter Replacement due to Ash Load

The DPF collects non-burnable particulates which cannot be removed by the Standstill Cleaning process. Build up of the ash load requires filter maintenance and/or exchange.

DPF filter maintenance or exchange requirement is indicated by the DPF Exchange icon shown on the display gauge.

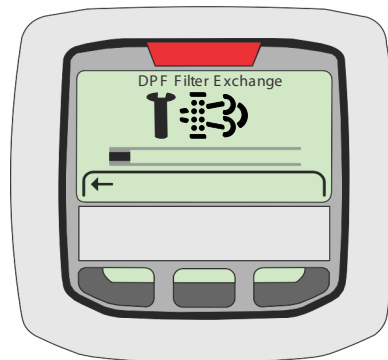






























Table 4-1. Ash Load DPF Filter Replacement

	Ash Load	DPF Filter Exchange Indicator	Engine Error Indicator	Derate
Normal Operation	<100%	--	--	None
Filter Exchange Required	≥100%		--	None
Warning Level	≥105%	Blinking 	--	None
Warning Level	≥110%	Blinking 	Continuous 	Machine placed in Creep and DTC active. Contact Deutz Dealer

SECTION 4 - MACHINE OPERATION

Standstill Cleaning Levels		Machine Hours Since Last Cleaning	Engine Error Indicator	DPF Indicator	Emissions Temperature Indicator*	Derate	Comments
0	Normal Operation	0-500	--	--		None	Between 500 and 650 hours, cleaning cycle can be initiated with JLG analyzer.
		500-650					
1	Standstill Required	650-750	--			None	Engine coolant temperature must be >40°C and machine must be in ground station mode.
2	Warning Level	750-775	Continuous 			Machine placed in Creep and DTC active	
3	Shut Off Level	>775	Blinking 			Idle Lock. Boom Functions Locked Out and trapped in Transport.	Contact Deutz Dealer
4	Filter Exchange	DPF Regeneration NOT POSSIBLE DPF Filter exchange required	Blinking 			Idle Lock. Boom Functions Locked Out and trapped in Transport.	
*Emissions Temperature indicator continuously ON during Standstill Cleaning							

SECTION 4 - MACHINE OPERATION

Soot Levels	Soot Load/ Time	DPF Cleaning Initiation Methods	Engine Error Indicator	DPF Indicator	Emissions Temperature Indicator*	Derate	Comments
Normal Operation	<99%		--	--		None	
Standstill Required	100% to 109% or 100 Hours	Switch in JLG Machine or JLG Analyzer	--			None	Will remain in Standstill mode for 100 hours or until the soot load reaches 109%
Warning Level	109% to 125% or 25 Hours	Switch in JLG Machine or JLG Analyzer	Continuous 			Machine placed in Creep and DTC active	Will remain in Warning level (Derate) for 25 hours or until the soot load reaches 125%
Shut Off Level	125% to 161%	DPF Cleaning Not Possible	Blinking 			Idle Lock. Boom Functions Locked Out and Trapped in Transport	Contact Deutz Dealer
Filter Exchange	> 161%	DPF Cleaning Not Possible	Blinking 			Idle Lock. Boom Functions Locked Out and Trapped in Transport	
*Emissions Temperature indicator continuously ON during Standstill Cleaning							

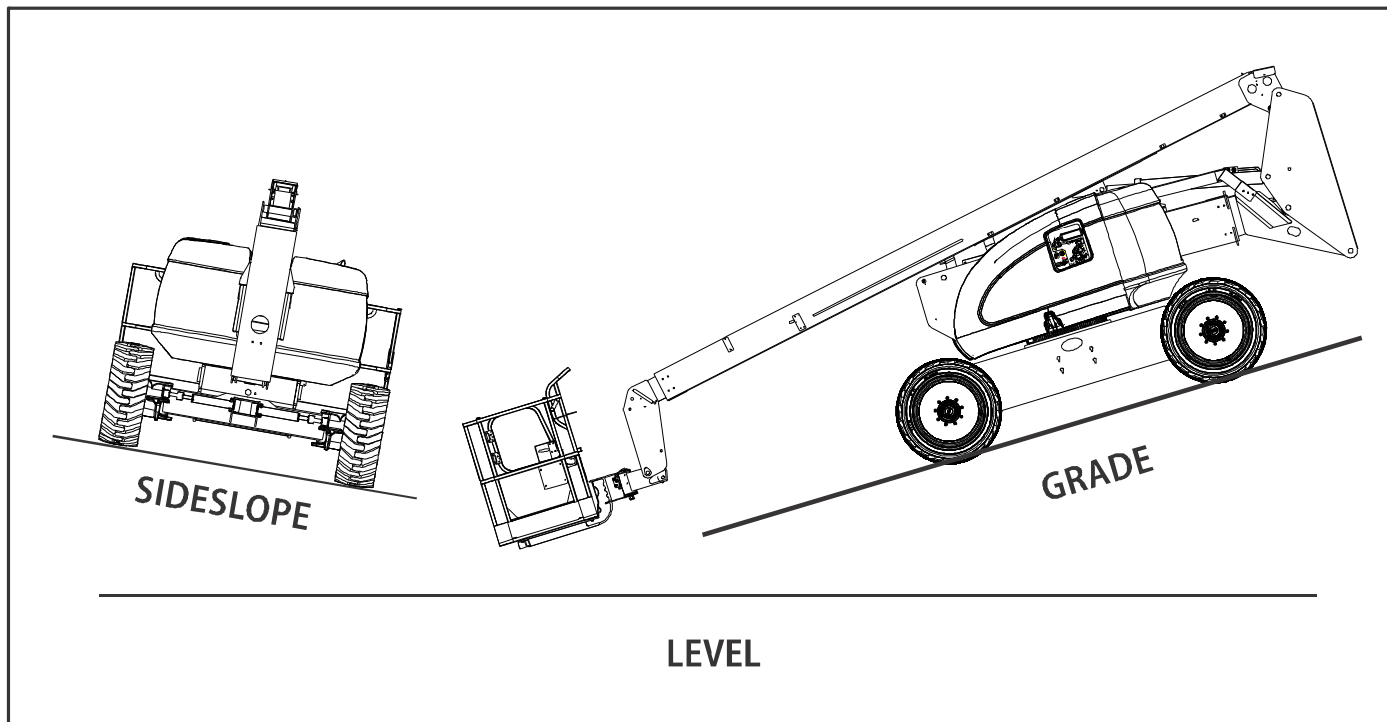


Figure 4-2. Grade and Sideslope

4.5 TRAVELING (DRIVING)

See Figure 4-2., Grade and Sideslope

NOTE: Refer to the Operating Specifications table for Gradeability and Sideslope ratings.

All ratings for Gradeability and Sideslope are based upon the machine's boom being in the stowed position, fully lowered, and retracted.

Traveling is limited by two factors:

1. Gradeability, which is the percent of grade of the incline the machine can climb.
2. Sideslope, which is the angle of the slope the machine can be driven across.

⚠ WARNING

DO NOT DRIVE WITH BOOM ABOVE HORIZONTAL EXCEPT ON A SMOOTH, FIRM SURFACE WITHIN THE LIMITS OF THE MAXIMUM OPERATING SLOPE.

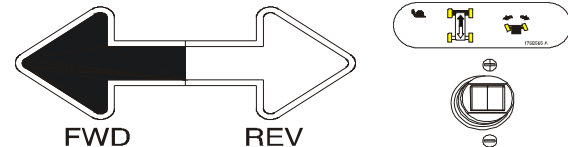
TO AVOID LOSS OF TRAVEL CONTROL OR TIP OVER, DO NOT DRIVE MACHINE ON GRADES EXCEEDING THOSE SPECIFIED IN THE OPERATING SPECIFICATIONS SECTION OF THIS MANUAL.

BE SURE THE TURNABLE LOCK IS ENGAGED BEFORE ANY EXTENDED TRAVELING.

DO NOT DRIVE ON SIDESLOPES WHICH EXCEED 5 DEGREES.

USE EXTREME CAUTION WHEN DRIVING IN REVERSE AND AT ALL TIMES WHEN THE PLATFORM IS ELEVATED.

BEFORE DRIVING, LOCATE THE BLACK/WHITE ORIENTATION ARROWS ON BOTH THE CHASSIS AND THE PLATFORM CONTROLS. MOVE THE DRIVE CONTROLS IN A DIRECTION MATCHING THE DIRECTIONAL ARROWS FOR THE INTENDED DIRECTION OF TRAVEL.

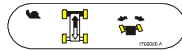


Traveling Forward and Reverse

1. At Platform Controls, pull out Emergency Stop switch and activate footswitch.

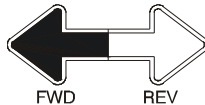


2. Position Drive controller to FORWARD or REVERSE as desired.



This machine is equipped with a Drive Orientation Indicator. The yellow light on the platform control console indicates that the boom is swung beyond the rear drive tires and the machine may Drive/Steer in the opposite direction from the movement of the controls. If the indicator is illuminated, operate the Drive function in the following manner:

1. Match the black and white direction arrows on both platform control panel and the chassis to determine the direction the machine will travel.



2. Push and release the Drive Orientation Override switch. Within 3 seconds, slowly move the Drive control toward the arrow matching the intended direction of machine travel. The indicator light will flash during the 3 second interval until the drive function is selected.



Traveling on a Grade

When traveling a grade, maximum braking and traction are obtained with the boom stowed, in position over the rear (drive) axle, and in line with the direction of travel. Drive the machine forward when climbing a grade, and in reverse when descending a grade. Do not exceed the machine's maximum rated gradability.

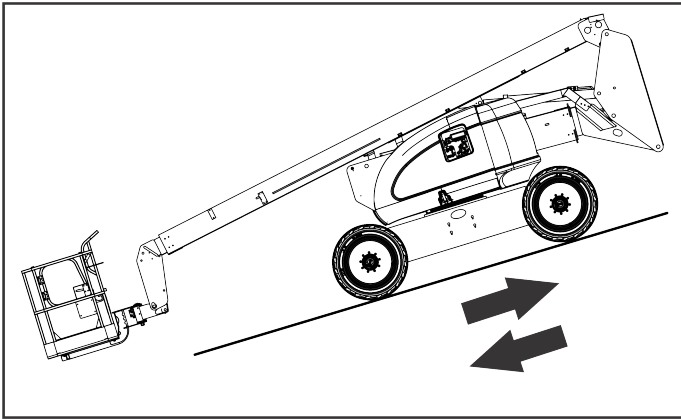


Figure 4-3. Traveling on a Grade

NOTICE

IF THE BOOM IS OVER THE FRONT (STEER) AXLE, DIRECTION OF STEER AND DRIVE MOVEMENT WILL BE OPPOSITE FROM THE MOVEMENT OF THE CONTROLS.

4.6 STEERING

Position thumb switch on Drive/Steer controller to Right for steering right, or to Left for steering left.



4.7 PLATFORM

Platform Level Adjustment

⚠ WARNING

ONLY USE THE PLATFORM LEVELING OVERRIDE FUNCTION FOR SLIGHT LEVELING OF THE PLATFORM. INCORRECT USE COULD CAUSE THE LOAD/OCCUPANTS TO SHIFT OR FALL. FAILURE TO DO SO COULD RESULT IN DEATH OR SERIOUS INJURY.

To Level Up or Down - Position the Platform/Level control switch Up or Down and hold until the platform is level.



Platform Rotation

To rotate the platform to the left or right, use the Platform Rotate control switch to select the direction and hold until the platform is level.



4.8 BOOM

⚠ WARNING

A RED TILT WARNING LIGHT IS LOCATED ON THE CONTROL CONSOLE WHICH LIGHTS WHEN THE CHASSIS IS ON AN EXCESSIVE SLOPE. DO NOT SWING OR RAISE BOOM ABOVE HORIZONTAL WHEN INDICATOR IS LIT.

DO NOT DEPEND ON THE TILT WARNING LIGHT AS A LEVEL INDICATOR FOR THE CHASSIS. THE TILT WARNING LIGHT INDICATES CHASSIS IS ON AN EXCESSIVE SLOPE (5 DEGREES OR GREATER). CHASSIS MUST BE LEVEL BEFORE SWINGING OR RAISING BOOM ABOVE HORIZONTAL OR DRIVING WITH THE BOOM ELEVATED.

TO AVOID TIP OVER IF RED TILT WARNING LIGHT LIGHTS WHEN THE BOOM IS RAISED ABOVE HORIZONTAL, LOWER PLATFORM TO GROUND LEVEL. THEN REPOSITION MACHINE SO THAT CHASSIS IS LEVEL BEFORE RAISING BOOM.

IF THE PLATFORM DOES NOT STOP WHEN A CONTROL SWITCH OR LEVER IS RELEASED, REMOVE FOOT FROM FOOTSWITCH OR USE EMERGENCY STOP SWITCH TO STOP THE MACHINE.

⚠ WARNING

TO AVOID SERIOUS INJURY, DO NOT OPERATE MACHINE IF ANY CONTROL LEVER OR TOGGLE SWITCH CONTROLLING PLATFORM MOVEMENT DOES NOT RETURN TO THE 'OFF' OR NEUTRAL POSITION WHEN RELEASED.

⚠ CAUTION

TO AVOID A COLLISION AND INJURY IF PLATFORM DOES NOT STOP WHEN A CONTROL SWITCH OR LEVER IS RELEASED, REMOVE FOOT FROM FOOTSWITCH OR USE EMERGENCY STOP SWITCH TO STOP THE MACHINE.

Swinging the Boom

To swing boom, use Swing control switch to select Right or Left direction.



NOTICE

WHEN SWINGING THE BOOM MAKE SURE THERE IS AMPLE ROOM FOR THE BOOM TO CLEAR SURROUNDING WALLS, PARTITIONS AND EQUIPMENT.

NOTE: *On CE Market machines, when boom functions are being operated there is an interlock that prevents the use of Drive and Steer functions.*

Raising and Lowering the Tower Boom

This machine has two controls for the tower boom (two toggle switches), one controls tower lift, the other tower telescope. The switching system will sequence its Lift and Telescope functions as follows:

- Sequence while raising the Tower Boom from the fully lowered position.

- The Tower Boom must be fully elevated “up” (approximately 13 degrees from vertical) before the Tower Boom can be extended from the fully retracted position.
- The Tower Telescope “out” or “in” will only be operable when the Tower Boom is fully elevated “up”.



- Sequence while lowering the Tower Boom from the fully elevated “up” position.

- Operate Tower Telescope “in” until Tower Boom is fully retracted. (Tower must not lift “down until tower boom is full retracted.



- The Tower lift “down” will only operate when the Tower Boom is fully retracted.



⚠ WARNING

TO AVOID TIPPING MACHINE IF TOWER BOOM SWITCHING MALFUNCTIONS:

- LOWER PLATFORM TO GROUND USING MAIN BOOM LIFT AND TELESCOPE FUNCTIONS.
- HAVE CONDITION CORRECTED BY A QUALIFIED JLG SERVICE TECHNICIAN BEFORE CONTINUING USE OF MACHINE.

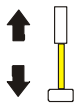
Raising and Lowering the Main Boom

To raise or lower the Main Boom, position the Main Boom Lift switch to Up or Down until the desired height is reached.



Telescoping the Main Boom

To extend or retract the main boom, use the Main Telescope Control Switch to select In or Out movement.



SECTION 4 - MACHINE OPERATION

4.9 FUNCTION SPEED CONTROL

This control knob affects the speed of the Telescope, Jib Lift, Tower Lift, and Tower Telescope, and Platform Rotate functions.



NOTE: During platform rotation, a speed difference may not be noticeable by the operator.

Turning the knob all the way counterclockwise until it clicks puts the machine into Creep Mode. Creep Mode puts the functions listed above, as well as the Drive/Steer and Main Lift/Swing functions into the slowest speed setting.

4.10 RE-SYNCHRONIZE THE LOWER LIFT CYLINDER

Level Override Valve

A pull type control valve allows the operator to adjust the tower lift cylinder and the upright cylinder if the upright cylinder is not fully retracted when boom is in the stowed position. This valve is located in the engine compartment area.



To Operate:

1. Pull the red knob
2. Using the ground control raise the lower boom 6 feet.
3. Release the knob.
4. Fully lower the boom.
5. Repeat if necessary.

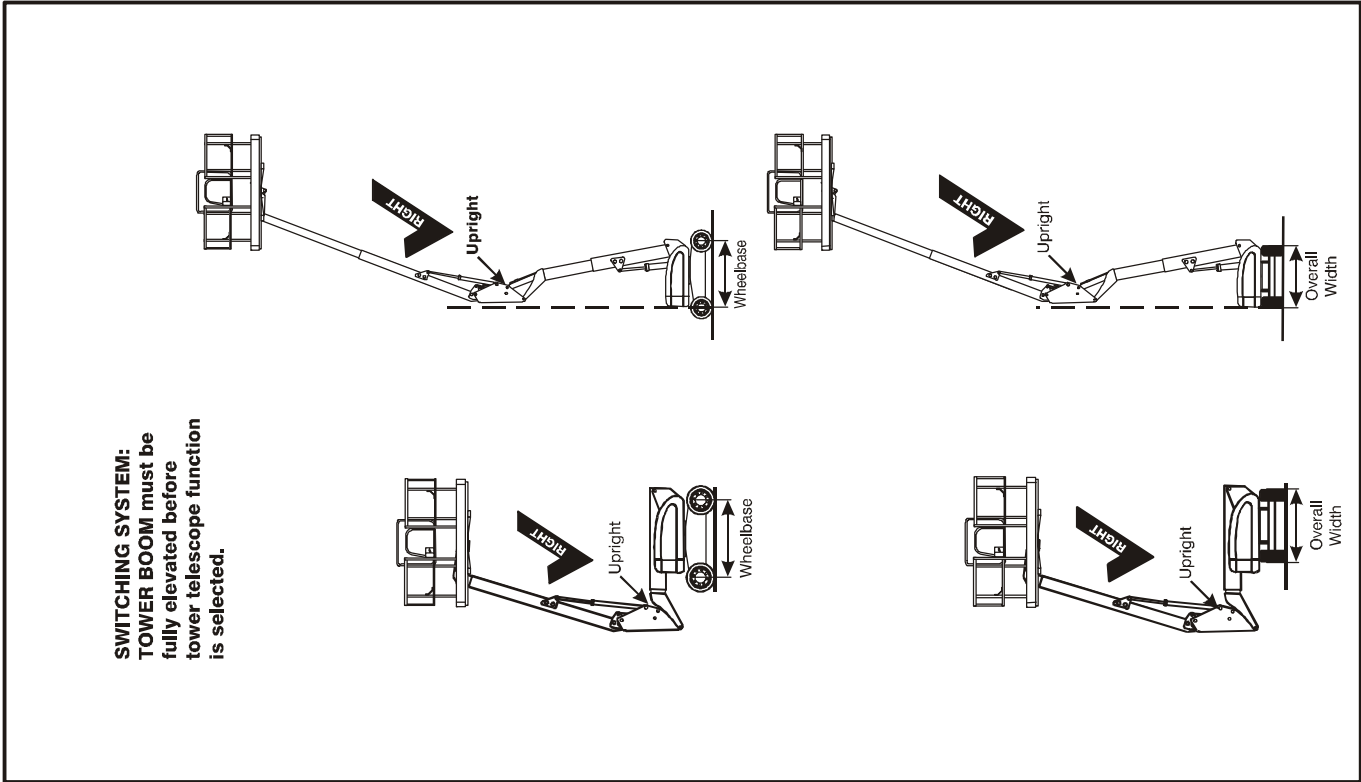


Figure 4-4. Boom Upright Positioning - Sheet 1 of 2

WARNING

TO AVOID TIPPING OVER IF THIS OCCURS:
— LOWER PLATFORM TO GROUND VIA MAIN BOOM LIFT AND
TELESCOPE FUNCTIONS. HAVE CONDITION CORRECTED BY A QUALIFIED
JLG SERVICE TECHNICIAN BEFORE CONTINUING USE OF MACHINE.

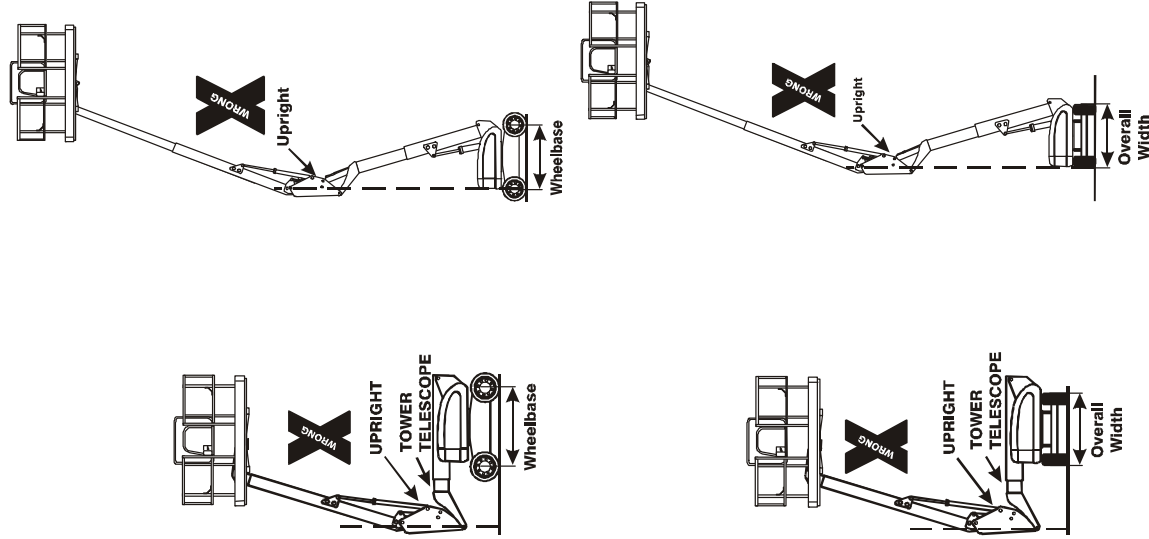


Figure 4-5. Boom Upright Positioning - Sheet 2 of 2

4.10 MACHINE SAFETY SYSTEM OVERRIDE (MSSO) (IF EQUIPPED)

The Machine Safety System Override (MSSO) is used to override function controls for Emergency Platform Retrieval only. Refer to Section 5.5, Machine Safety System Override (MSSO) (If Equipped) for operating procedures.



4.11 SKYGUARD OPERATION

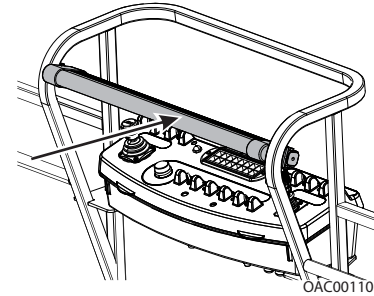
SkyGuard provides enhanced control panel protection. When the SkyGuard sensor is activated, functions in use at the time of activation will reverse or cutout. The SkyGuard Function Table provides more details on these functions.

During activation, the horn will sound and the SkyGuard beacon (if equipped) will illuminate until sensor and footswitch are disengaged.

If the SkyGuard sensor remains activated after function reversal or cutout, depress and hold the SkyGuard Override Switch to allow normal functions until the sensor is disengaged.

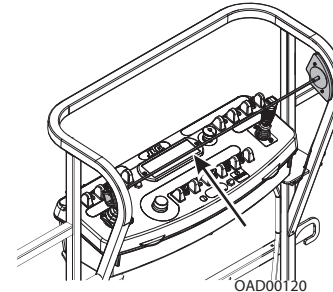
Consult the following illustrations to determine which type of SkyGuard the machine has and how it is activated. Regardless of type, SkyGuard function according to the SkyGuard Function Table does not change.

SkyGuard



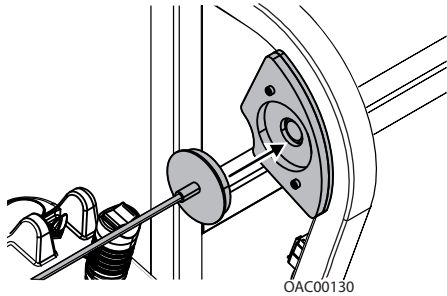
Approximately 50 lb (222 Nm) of force is applied to yellow bar.

SkyGuard - SkyLine

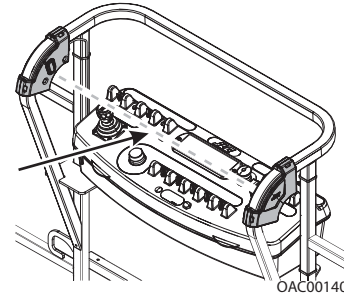


Cable is pressed, breaking the magnetic connection between the cable and right bracket.

SkyGuard - SkyEye



Reattach magnetic end of cable to bracket if it becomes disconnected.



Operator passes through path of sensor beam.

SkyGuard Function Table

Drive Forward	Drive Reverse	Steer	Swing	Tower Lift Up	Tower Tele Out	Tower Lift Down	Tower Tele In	Boom Lift Up	Boom Lift Down	Boom Tele Out	Boom Tele In	Jib Lift	Basket Level	Basket Rotate
R*/C**	R	C	R	R	C	C	C	R	R	R	C	C	C	C
R = Indicates Reversal is Activated														
C = Indicates Cutout is Activated														
* DOS (Drive Orientation System) Enabled														
** DOS Not Enabled, machine is driving straight without steering, and any other hydraulic function is active														
Note: If SkyGuard is enabled with the Soft Touch system, functions will cut out instead of reversing.														

4.12 SHUT DOWN AND PARK

The preferred procedures to shut down and park the machine are as follows:

1. Drive machine to a reasonably well protected area.
2. Ensure boom is fully retracted and lowered over rear axle.
3. Shut down Emergency Stop at Platform Controls.
4. Shut down Emergency Stop at Ground Controls. Position Platform/Ground Select switch to center OFF (center position).
5. If necessary, cover Platform Controls to protect instruction placards, warning decals, and operating controls from hostile environment.

NOTICE

IF PARKING A MEWP WITH THE BOOM ELEVATED IN AN EFFORT TO CONSERVE SPACE, BOOMS MAY BE ELEVATED, BUT SHALL NOT BE EXTENDED. IT IS THE OPERATOR'S RESPONSIBILITY TO ENSURE ALL SAFETY PRECAUTIONS IN SECTION 1 OF THIS MANUAL ARE FOLLOWED FOR EACH UNIQUE SITUATION.

4.13 OSCILLATING AXLE LOCKOUT TEST (IF EQUIPPED)

NOTICE

LOCKOUT SYSTEM TEST MUST BE PERFORMED QUARTERLY, ANY TIME A SYSTEM COMPONENT IS REPLACED, OR WHEN IMPROPER SYSTEM OPERATION IS SUSPECTED.

Refer to Section 7.6, Oscillating Axle Lockout Test (If Equipped) for procedure.

4.14 STEER/TOW SELECTOR (IF EQUIPPED)

WARNING

DO NOT ATTEMPT TO TOW MACHINE UNLESS EQUIPPED WITH COMPLETE TOW PACKAGE FROM MANUFACTURER.

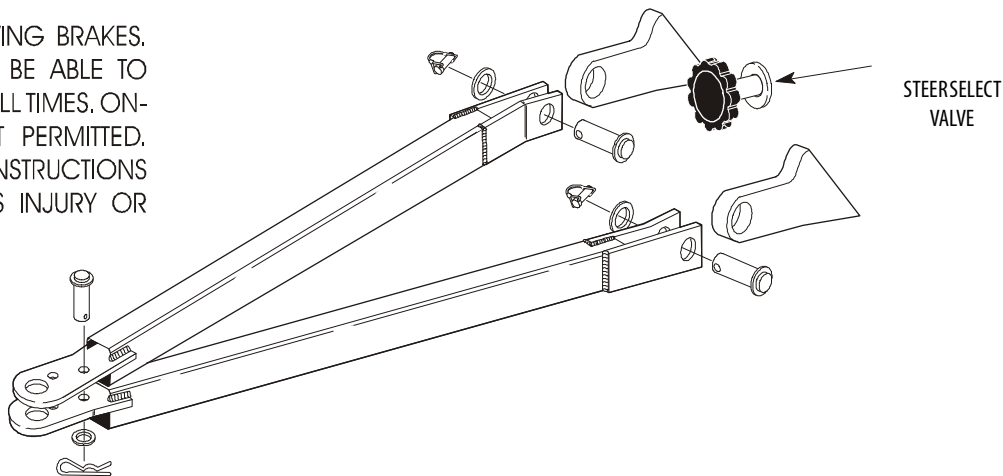
A push-pull type selector valve located adjacent to the steer cylinder and linkage regulates oil flow in the steer circuit for steering and towing. When steering the unit the valve knob is pushed IN. When towing the unit the valve knob is pulled OUT to the float position.

Towbar Connecting Points

⚠ WARNING

**RUNAWAY VEHICLE/
MACHINE HAZARD**

MACHINE HAS NO TOWING BRAKES. TOWING VEHICLE MUST BE ABLE TO CONTROL MACHINE AT ALL TIMES. ON-HIGHWAY TOWING NOT PERMITTED. FAILURE TO FOLLOW INSTRUCTIONS COULD CAUSE SERIOUS INJURY OR DEATH.



4.15 TOWING (IF EQUIPPED)

RUNAWAY VEHICLE/MACHINE HAZARD. MACHINE HAS NO TOWING BRAKES. TOWING VEHICLE MUST BE ABLE TO CONTROL MACHINE AT ALL TIMES. ON-HIGHWAY TOWING NOT PERMITTED. FAILURE TO FOLLOW INSTRUCTIONS COULD CAUSE SERIOUS INJURY OR DEATH.

MAXIMUM TOWING SPEED 8 MPH (13 KM/H)

MAXIMUM TOWING GRADE 25%.

Prior to towing the machine, complete the following:



DO NOT TOW MACHINE WITH ENGINE OPERATING OR DRIVE HUBS ENGAGED.

1. Retract, lower and position boom over rear drive wheels in line with direction of travel; lock turntable.
2. Connect tow bar to front of frame with attach pins, and tow bar to towing vehicle.
3. Disconnect drive hubs by inverting disconnect cap. Refer to Figure 4-6., Drive Disconnect Hub.
4. Actuate steer/tow selector valve for towing; pull valve knob OUT to float position. (This opens the steer circuit to reservoir, allowing the steer cylinder rod free travel.) The machine is now in the towing mode.

After towing the machine, complete the following:

1. Actuate steer/tow selector valve for steering; push valve knob IN to the actuated position.
2. Reconnect drive hubs by inverting disconnect cap.
3. Disconnect tow bar from steering hitch and from towing vehicle. The machine is now in the driving mode.

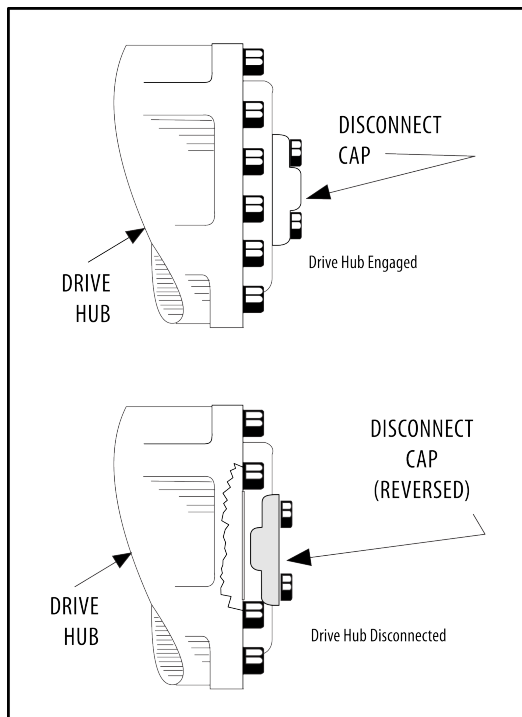


Figure 4-6. Drive Disconnect Hub

4.16 AUXILIARY POWER

⚠ CAUTION

WHEN OPERATING ON AUXILIARY POWER, DO NOT OPERATE MORE THAN ONE FUNCTION AT A TIME. (SIMULTANEOUS OPERATION CAN OVERLOAD THE 12-VOLT AUXILIARY PUMP MOTOR.)

A toggle type auxiliary power control switch is located on the platform control station and another is located on the ground control station. Operation of either switch turns on the electrically driven auxiliary hydraulic pump. This should be used in case of failure of the main power plant. The auxiliary pump will operate tower boom lift, tower telescope, main boom lift, main telescope and swing. To activate auxiliary power:

Activating from the Platform Control Station

1. Position Platform/Ground Select Key Switch to Platform.
2. Position Power/Emergency Stop switch to On.



3. Depress and hold footswitch.
4. Position Auxiliary Power switch to On and hold.
5. Operate appropriate control switch, lever or controller for desired function and hold.
6. Release Auxiliary Power switch, selected control switch, lever or controller, and footswitch.
7. Position Power/Emergency Stop switch to Off.



3. Position Auxiliary Power switch to On and hold.
4. Operate appropriate control switch or controller for desired function and hold.
5. Release Auxiliary Power switch, and appropriate control switch or controller.
6. Position Power/Emergency Stop switch to Off.



Activating from the Ground Control Station

1. Position Platform/Ground Select Key Switch to Ground.
2. Position Power/Emergency Stop switch to On.



4.17 DUAL FUEL SYSTEM (GAS ENGINE ONLY)

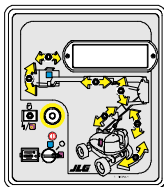
The dual fuel system enables the standard gasoline engine to run on either gasoline or LP gas.

CAUTION

IT IS POSSIBLE TO SWITCH FROM ONE FUEL SOURCE TO THE OTHER WITHOUT ALLOWING THE ENGINE TO STOP. EXTREME CARE MUST BE TAKEN AND THE FOLLOWING INSTRUCTIONS MUST BE FOLLOWED.

Changing From Gasoline to LP Gas

1. Start engine from Ground Control Station.



2. Open hand valve on LP gas supply tank by turning counter-clockwise.
3. While engine is operating on Gasoline under a no-load condition, place Fuel Select switch at Platform Control to LP position.



Changing From LP Gas to Gasoline

1. With engine operating on LP under a no-load condition, position Fuel Select switch at Platform Control Station to Gasoline position.
2. Close hand valve on LP gas supply tank by turning clockwise.



4.18 TIE DOWN AND LIFTING

Lifting

1. Refer to the Machine Serial Number Plate, call JLG Industries, or weigh the individual unit to find out the Gross Vehicle Weight.
2. Place the boom in the stowed position.
3. Remove all loose items from the machine.
4. Properly adjust the rigging to prevent damage to the machine and so the machine remains level.

Tie Down

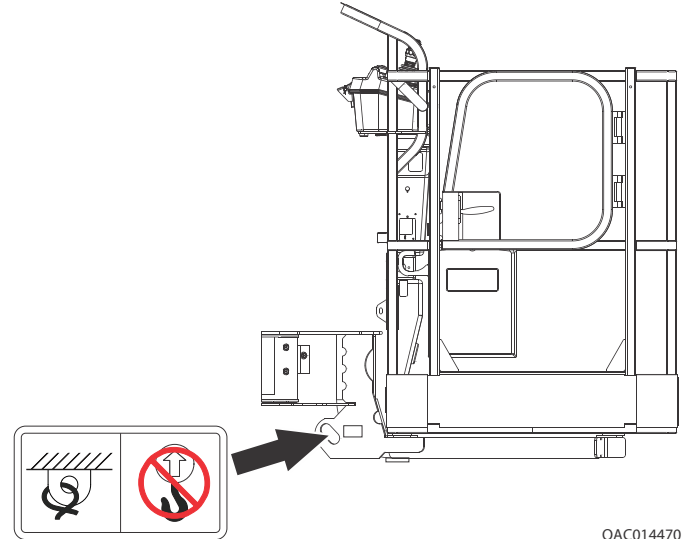
NOTICE

WHEN TRANSPORTING THE MACHINE, THE BOOM MUST BE FULLY LOWERED INTO THE BOOM REST.

1. Place the boom in the stowed position.
2. Remove all loose items from the machine.
3. Secure the chassis using straps or chains of adequate strength.

4. Ensure the platform is lowered so the wear pad on the bottom rests on the surface of the transportation vehicle.

NOTE: Secure through the tie downs on the boom using straps or chains of adequate strength.



OAC014470

NOTICE

SECURE TURNTABLE WITH TURNTABLE LOCK BEFORE TRAVELING LONG DISTANCES OR HAULING MACHINE ON TRUCK/TRAILER.

SECTION 4 - MACHINE OPERATION

MODEL	"A" Dimension Steer Axle To Center Of Gravity
600AJ HC3	42" (1066,8 mm.)

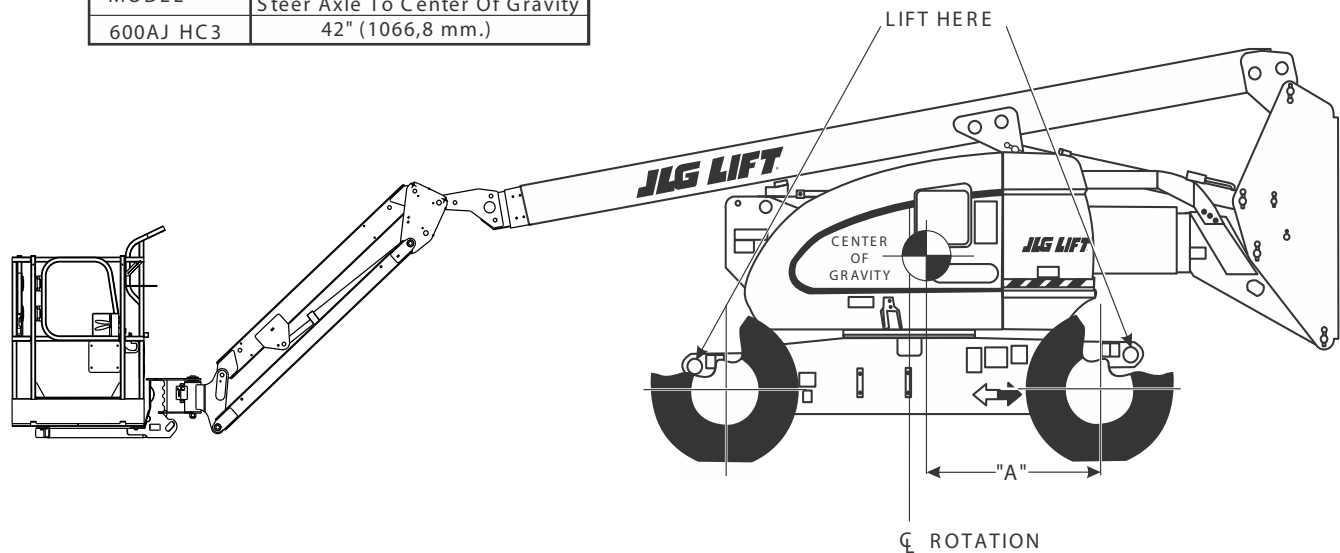
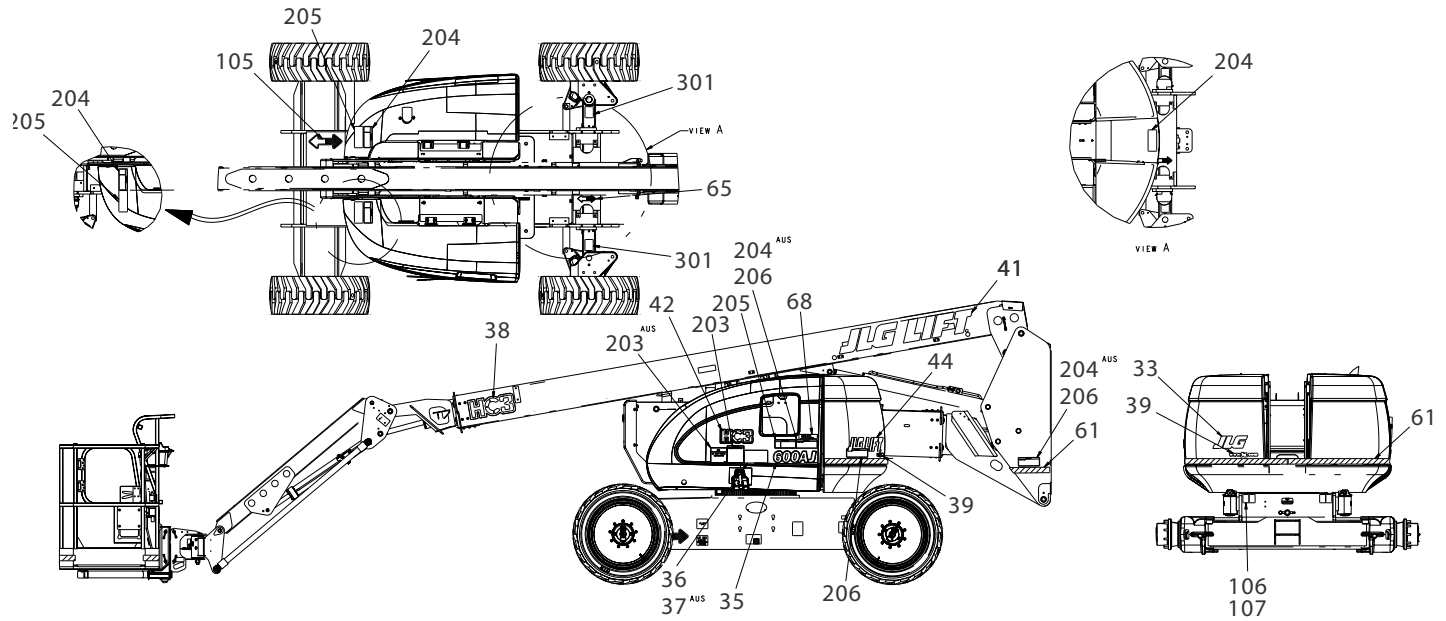


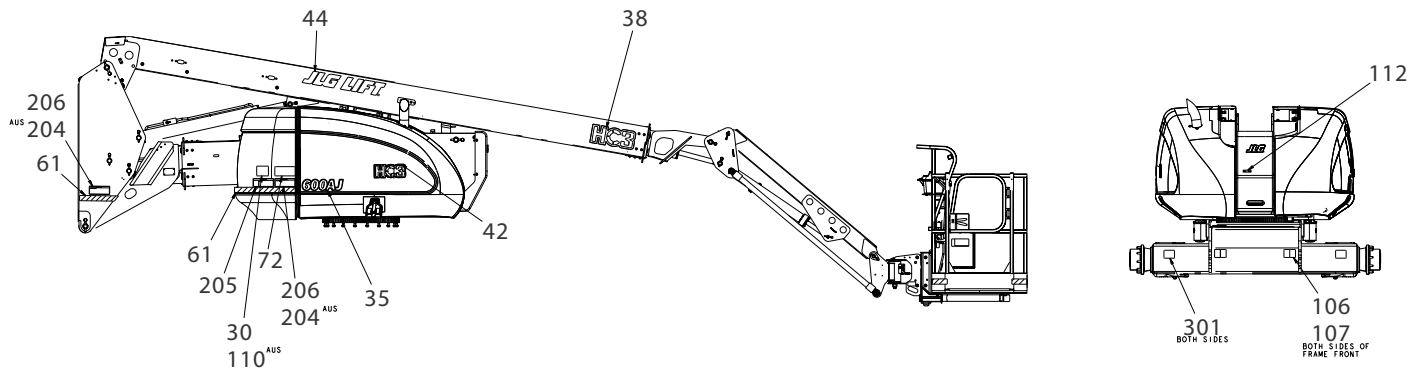
Figure 4-7. Lifting Chart



OAC013750

Figure 4-8. 600AJ HC3 Decal Installation - Sheet 1 of 4

SECTION 4 - MACHINE OPERATION



OAC013760

Figure 4-9. 600AJ HC3 Decal Installation - Sheet 2 of 4

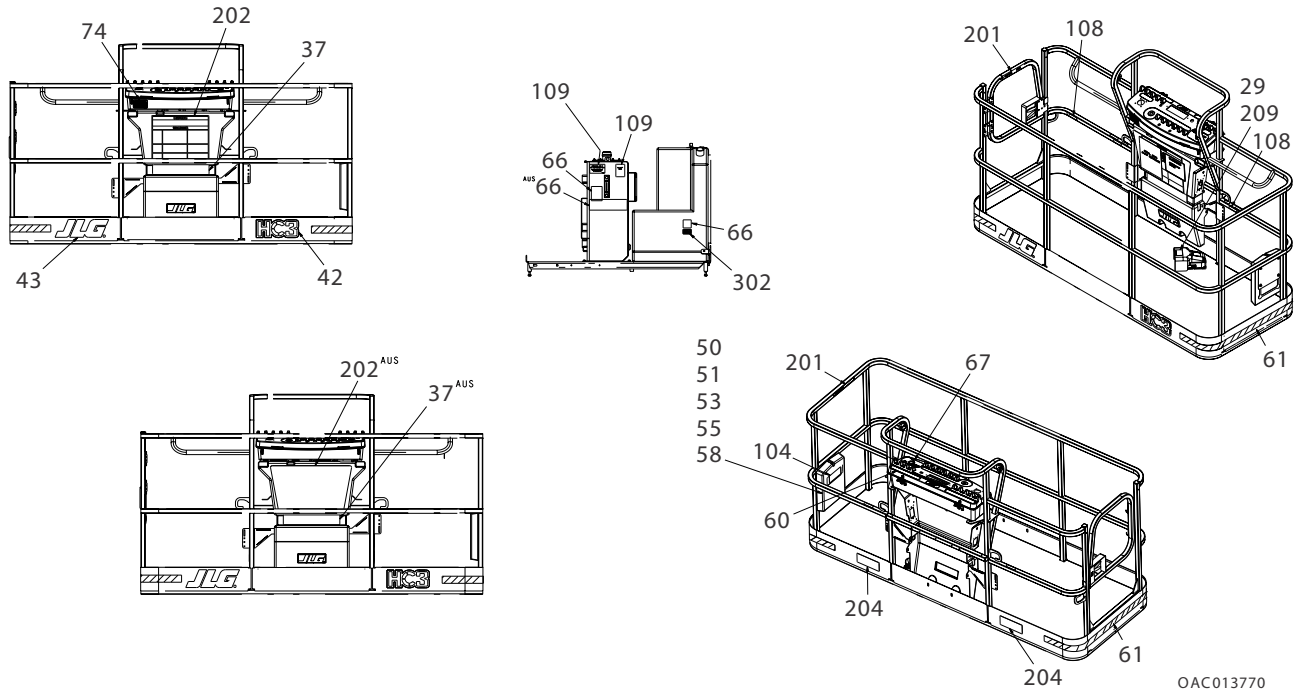


Figure 4-10. 600AJ HC3 Decal Installation - Sheet 3 of 4

SECTION 4 - MACHINE OPERATION

Table 4-2. 600AJ HC3 Decal Legend

Item #	ANSI 1001255198-B	Eng/French 1001255784-B	CE 1001255785-B	Eng/Spanish 1001255786-B	Eng/ Portuguese 1001255787-B	Japanese 1001255788-B	Australian 1001255789-B	Chinese Simplified 1001255791-B	Chinese Traditional 1001255790-B	Korean 1001255792-B
29	3252347	--	--	--	--	--	--	--	--	--
30	3251813	3251813	--	3251813	3251813	3251813	3251813	3251813	3251813	3251813
31	--	--	--	--	--	--	--	--	--	--
33	--	--	1701435	--	--	--	--	--	--	--
34	1702631	1702631	1702631	1702631	1702631	1702631	1702631	1702631	1702631	1702631
35	1702819	1702819	1702819	1702818	1702819	1702819	1702819	1702819	1702819	1702819
36	1001234426	1001234434	1001234439	1001253931	1001253937	1001253933	--	1001253935	1001253927	1001253925
37	1001234425	1001234433	1001234439	1001253930	1001253936	1001253932	1705978	1001253934	1001253926	1001253924
38	1001256906	1001256906	1001256906	1001256906	1001256906	1001256906	1001256906	1001256906	1001256906	1001256906
39	1704885	1704885	--	1704885	1704885	1704885	1704885	1704885	1704885	1704885
40	1001253997	1001253997	1001253993	1001253997	1001253997	--	1001253994	1001253997	1001253997	1001253997
41	1702861	1702861	1001159323	1702861	1702861	1702861	1702861	1702861	1702861	1702861
42	1001244212	1001244212	1001244212	1001244212	1001244212	1001244212	1001244212	1001244212	1001244212	1001244212
43	1702773	1702773	1702773	1702773	1702773	1702773	1702773	1702773	1702773	1702773
44	1702860	1702860	1702773	1702860	1702860	1702860	1702860	1702860	1702860	1702860
45										
46										

Table 4-2. 600AJ HC3 Decal Legend

Item #	ANSI 1001255198-B	Eng/French 1001255784-B	CE 1001255785-B	Eng/Spanish 1001255786-B	Eng/ Portuguese 1001255787-B	Japanese 1001255788-B	Australian 1001255789-B	Chinese Simplified 1001255791-B	Chinese Traditional 1001255790-B	Korean 1001255792-B
47										
48										
49	1700818	1704271	--	1702720	1702720	--	1700818	--	--	--
50	0100011	0100011	0100011	0100011	0100011	0100011	0100011	0100011	0100011	0100011
51	0641406	0641406	0641406	0641406	0641406	0641406	0641406	0641406	0641406	0641406
53	0860520	0860520	0860520	0860520	0860520	0860520	0860520	0860520	0860520	0860520
55	3311405	3311405	3311405	3311405	3311405	3311405	3311405	3311405	3311405	3311405
57	3820001	3820001	3820001	3820001	3820001	3820001	3820001	3820001	3820001	3820001
58	4751400	4751400	4751400	4751400	4751400	4751400	4751400	4751400	4751400	4751400
60	1001184618	1001184618	1001184618	1001184618	1001184618	1001184618	1001184618	1001184618	1001184618	1001184618
61	4420051	4420051	4420051	4420051	4420051	4420051	4420051	4420051	4420051	4420051
62	1001131269	1001131269	--	--	--	--	--	--	--	--
65	1703687	1703687	1703687	1703687	1703687	1703687	1703687	1703687	1703687	1703687
66	1702265	1703990	1705977	1702617	1703544	1702271	1705977	1001116861	1001116862	1703987
67	1705351	1705429	--	1705910	1705905	1705426	1001112551	1705430	1001116863	1705427
68	1001197408	1001197408	--	1001197408	1001197408	1001197408	1001197408	1001197408	1001197408	1001197408
69	1001180861	1001200120	--	1001200126	--	--	--	--	--	--
70	1001223055	1001223971	1001143852	1001224049	1001224052	1001224053	--	1001224051	1001224050	1001224048

SECTION 4 - MACHINE OPERATION

Table 4-2. 600AJ HC3 Decal Legend

Item #	ANSI 1001255198-B	Eng/French 1001255784-B	CE 1001255785-B	Eng/Spanish 1001255786-B	Eng/ Portuguese 1001255787-B	Japanese 1001255788-B	Australian 1001255789-B	Chinese Simplified 1001255791-B	Chinese Traditional 1001255790-B	Korean 1001255792-B
71	--	--	--	--	--	--	--	--	--	--
72	1001255926	1001229007	1001255926	1001229007	1001229007	1001229007	1001229007	1001229007	1001229007	1001229007
73	1001223453	1001223453	--	--	--	--	--	--	--	--
74	1001231801	--	--	--	--	--	--	--	--	--
100	2902303	2902303	--	2902303	2902303	2902303	2902303	2902303	2902303	2902303
101										
102	1701509	1701509	1701509	1701509	1701509	1701509	1701509	1701509	1701509	1701509
103	1701529	1701529	1701529	1701529	1701529	1701529	1701529	1701529	1701529	1701529
104	1703811	1703811	1703811	1703811	1703811	1703811	1703811	1703811	1703811	1703811
105	1703814	1703814	1703814	1703814	1703814	1703814	1703814	1703814	1703814	1703814
106	1704277	1704277	1704277	1704277	1704277	1704277	1704277	1704277	1704277	1704277
107	1703814	1703814	1703814	1703814	1703814	1703814	1703814	1703814	1703814	1703814
108	1704277	1704277	1704277	1704277	1704277	1704277	1704277	1704277	1704277	1704277
109	1704412	1704412	1704412	1704412	1704412	1704412	1704412	1704412	1704412	1704412
110	3251243	3251243	--	3251243	3251243	3251243	3251243	3251243	3251243	3251243
112	3251243	--	--	--	--	--	--	--	--	--
200	2902307	2902322	--	2902311	2902312	2902308	2902329	1001116844	2902309	2902310
201	1702868	1704000	--	1704001	1705967	--	--	1705968	1001116846	1705969

Table 4-2. 600AJ HC3 Decal Legend

Item #	ANSI 1001255198-B	Eng/French 1001255784-B	CE 1001255785-B	Eng/Spanish 1001255786-B	Eng/ Portuguese 1001255787-B	Japanese 1001255788-B	Australian 1001255789-B	Chinese Simplified 1001255791-B	Chinese Traditional 1001255790-B	Korean 1001255792-B
202	1703797	1703924	--	1703923	1705895	1703926	1705921	1001116847	1703925	1703927
203	1705336	1705347	--	1705917	1705896	1705344	1705822	1001116848	1001116849	1705345
204	1703804	1703948	--	1703947	1705898	1703950	1701518	1001116850	1703949	1703951
205	1703805	1703936	1705961	1703935	1705897	1703938	1705961	1703937	1001116851	1703939
206	1703953	1703942	--	1703941	1705903	1703944	--	1001116845	1703943	1703945
207	--	--	--	--	--	--	--	--	--	--
208	--	--	--	--	--	--	--	--	--	--
209	--	1703984	--	1703983	1705902	1703980	1705828	1001116852	1703982	1703981
300	1001255795	1001255795	1001255795	1001255795	1001255795	1001255795	1001255795	1001255795	1001255795	1001255795
301	1001255794	1001255794	1001255794	1001255794	1001255794	1001255794	1001255794	1001255794	1001255794	1001255794
302	1001125387	1001125387	--	--	--	1001139654	--	--	--	--

SECTION 5. EMERGENCY PROCEDURES

5.1 GENERAL

This section explains the steps to be taken in case of an emergency situation while operating.

5.2 INCIDENT NOTIFICATION

JLG Industries, Inc. must be notified immediately of any incident involving a JLG product. Even if no injury or property damage is evident, the factory should be contacted by telephone and provided with all necessary details.

- USA: 877-JLG-SAFE (554-7233)
- EUROPE: (32) 0 89 84 82 20
- AUSTRALIA: (61) 2 65 811111
- E-mail: ProductSafety@JLG.com

Failure to notify the manufacturer of an incident involving a JLG Industries product within 48 hours of such an occurrence may void any warranty consideration on that particular machine.

NOTICE

FOLLOWING ANY ACCIDENT, THOROUGHLY INSPECT THE MACHINE AND TEST ALL FUNCTIONS FIRST FROM THE GROUND CONTROLS, THEN FROM THE PLATFORM CONTROLS. DO NOT LIFT ABOVE 3 M (10 FT.) UNTIL YOU ARE SURE THAT ALL DAMAGE HAS BEEN REPAIRED, IF REQUIRED, AND THAT ALL CONTROLS ARE OPERATING CORRECTLY.

5.3 EMERGENCY OPERATION

Operator Unable to Control Machine

IF THE PLATFORM OPERATOR IS PINNED, TRAPPED OR UNABLE TO OPERATE OR CONTROL MACHINE:

1. Other personnel should operate the machine from ground controls only as required.
2. Other qualified personnel on the platform may use the platform controls. **DO NOT CONTINUE OPERATION IF CONTROLS DO NOT FUNCTION PROPERLY.**
3. Cranes, forklift trucks or other equipment can be used to remove platform occupants and stabilize motion of the machine.

Platform or Boom Caught Overhead

If the platform or boom becomes jammed or snagged in overhead structures or equipment, do the following:

1. Shut off the machine.
2. Rescue all people in the platform before freeing the machine. Personnel must be out of the platform before operating any controls on the machine.
3. Use cranes, forklifts, or other equipment to stabilize motion of the machine to prevent a tip over as required.
4. From the ground controls, use the Auxiliary Power System (if equipped) to carefully free the platform or boom from the object.
5. Once clear, restart the machine and return the platform to a safe position.
6. Inspect the machine for damage. If the machine is damaged or does not operate properly, turn off the machine immediately. Report the problem to the proper maintenance personnel. Do not operate the machine until it is declared safe for operation.

5.4 EMERGENCY TOWING PROCEDURES

Towing this machine is prohibited, unless properly equipped. However, provisions for moving the machine have been incorporated. For specific procedures, refer to Section 4.

5.5 MACHINE SAFETY SYSTEM OVERRIDE (MSSO) (IF EQUIPPED)

The Machine Safety System Override (MSSO) is only to be used to retrieve an operator that is pinned, trapped, or unable to operate the machine and function controls are locked out from the platform due to a platform overload situation.



NOTE: *If the MSSO functionality is used, the fault indicator is set with a fault code in the JLG Control System which must be reset by a qualified JLG Service Technician.*

NOTE: *No functional checks of the MSSO system are necessary. The JLG Control system will set a Diagnostic Trouble Code if the control switch is faulty.*

To operate the MSSO:

1. From the ground control console, place the Platform/ Ground Select switch in the Ground position.
2. Pull out the Power/Emergency Stop control.
3. Start the engine.
4. Press and hold the MSSO switch and the control switch for the desired function.

SECTION 5 - EMERGENCY PROCEDURES

SECTION 6. ACCESSORIES

Table 6-1. Available Accessories

Accessory	Market						
	ANSI (USA Only)	ANSI	CSA	CE	AUS	Japan	China
Fall Arrest Platform (36" x 72")	√	√	√			√	√
Fall Arrest Platform (36" x 96")	√	√	√				√
Pipe Racks	√		√		√		
SkyCutter™	√	√	√			√	√
SkyGlazier™	√	√	√		√		√
SkyPower™ - 7.5 kW	√	√	√		√	√	√
Generator - 4 kW	√	√	√	√	√	√	√
SkyWelder™	√	√	√			√	√
Soft Touch	√	√	√	√			√
SkySense™	√	√	√	√	√	√	√
Bolt-On External Fall Arrest (36" x 72")	√	√	√			√	√
Bolt-On External Fall Arrest (36" x 96")	√	√	√			√	√

SECTION 6 - ACCESSORIES

Table 6-2. Options/Accessories Relationship Table

ACCESSORY	REQUIRED ITEM	COMPATIBLE WITH (Note 1)	INCOMPATIBLE WITH	INTERCHANGABLE WITH (Note 2)
Pipe Racks		SkyPower™	Platform MMR**, Platform MTR*, Soft Touch	SkyGlazier™, SkyCutter™, SkyWelder™,
SkyCutter™	SkyPower™	SkyWelder™	4' Platform, Pipe Racks, Platform MTR*, Soft Touch	SkyGlazier™
SkyGlazier™		SkyPower™	4' Platform, Pipe Racks, Platform MTR*, Soft Touch	SkyCutter™, SkyWelder™
SkyPower™		SkyCutter™, SkyGlazier™, SkyWelder™		
SkyWelder™	SkyPower™	SkyCutter™	4' Platform, Pipe Racks, Platform MTR*, Soft Touch	SkyGlazier™
Soft Touch		SkyPower™	Pipe Racks, SkySense, SkyCutter™, SkyGlazier™, SkyWelder™	
SkySense™		SkyPower™	Pipe Racks, Soft Touch, SkyCutter™, SkyGlazier™, SkyWelder™, Plat- form MMR**, Platform MTR*	

Note 1: Any non-"Sky" accessory not listed under "INCOMPATIBLE WITH" is assumed to be compatible.

4150459 M

Note 2: Can be used on same unit but not simultaneously.

* Platform MTR = Platform Mesh to Top Rail; ** Platform MMR = Platform Mesh to Mid Rail

6.1 FALL ARREST PLATFORM

NOTE: See the JLG External Fall Arrest System manual (PN 3128935) for more detailed information.

The external fall arrest system is designed to provide a lanyard attach point while allowing the operator to access areas outside the platform. Exit/enter the platform through the gate area only. The system is designed for use by one person.

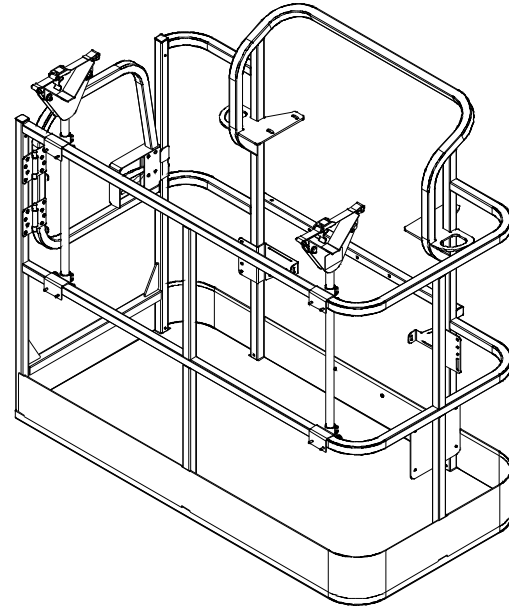
Personnel must use fall protection at all times. A full body harness is required with lanyard not to exceed 6 ft (1.8 m) in length, that limits the maximum arrest force to 900 lb (408 kg) for the trans-faster type and 1350 lb (612 kg) for the shuttle type fall arrest system.

Safety Precautions

⚠ WARNING

DO NOT OPERATE ANY MACHINE FUNCTIONS WHILE OUTSIDE THE PLATFORM. USE CAUTION WHEN ENTERING/EXITING THE PLATFORM AT ELEVATION.

6.2 PIPE RACKS



Pipe Racks provide a way to store pipe or conduit inside the platform in order to prevent rail damage and optimize platform utility. This accessory consists of two racks with adjustable straps to secure the load in place.

Capacity Specifications (Australia Only)

Max. Capacity in Racks	Max. Platform Capacity (With Max. Weight in Racks)
80 kg	184 kg
Max. Length of Material in Racks: 6.0 m Min. Length of Material in Racks: 2.4 m	

Safety Precautions

WARNING

REDUCE PLATFORM CAPACITY BY 100 LB (45.5 KG) WHEN INSTALLED.

WARNING

WEIGHT IN RACKS PLUS WEIGHT IN PLATFORM MUST NOT EXCEED RATED CAPACITY.

NOTICE

THE MAXIMUM LOAD IN THE RACKS IS 180 LB (80 KG) EVENLY DISTRIBUTED BETWEEN THE TWO RACKS.

NOTICE

THE MAXIMUM LENGTH OF MATERIAL IN RACKS IS 20 FT (6.1 M).

- Ensure no personnel are beneath the platform.
- Do not exit platform over rails or stand on rails.
- Do not drive machine without material secured
- Return racks to the stowed position when not in use.
- Use this option only on approved models.

Preparation and Inspection

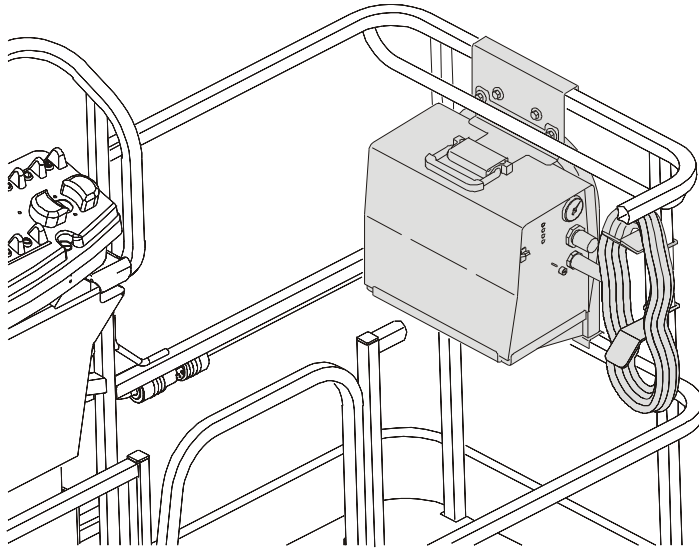
- Ensure racks are secured to the platform rails.
- Replace torn or frayed tie-down straps.

Operation

1. To prepare racks for loading, remove locking pins, rotate each rack 90 degrees from stowed to working position, then secure with locking pins.
2. Loosen and remove tie-down straps. Place material on racks with weight evenly distributed between both racks.
3. Route the tie-down straps at each end across loaded material and tighten.
4. To remove material, loosen and remove tie-down straps, then carefully remove material from racks.

NOTE: *Reinstall tie-down straps across any remaining material before continuing machine operations.*

6.3 SKYCUTTER™



SkyCutter™ is capable of cutting up to a thickness of 3/8" metal. It can produce 27 A at 92 VDC at 35% duty cycle or 14 A at 92 VDC at 60% duty cycle. It receives power from the SkyPower™ system.

Safety Precautions

⚠ WARNING
DO NOT OVERLOAD PLATFORM.

⚠ WARNING
DE-RATE THE PLATFORM BY 70 LB (32 KG) WHEN ACCESSORY IS IN THE PLATFORM.

- Check for cracked welds and damage to plasma supports.
- Check for secure installation of cutter and bracket.
- Ensure no personnel are beneath platform.
- Do not exit platform over rails or stand on rails.
- Use this option only on approved models.
- Keep lanyard attached at all times.
- Use correct cutting settings.
- Do not use electrical cords without ground.
- Do not use electrical tools in water.
- Do not cut platform, or ground through the platform.
- Wear proper cutting apparel.
- Do not drive machine while connected to external air/gas sources.

SECTION 6 - ACCESSORIES

Accessory Ratings

Spec.	Rated Output	Amperes Input @ Rated Output, 60 Hz, 1-Phase	kVa/kW	Plasma Gas	Plasma Gas Flow/ Pressure	Rated Cutting Capacity @ 10 IPM	Max. OCV
120Volts ±10% (20 A)	27 A @ 91VDC @ 20% Duty Cycle	28.8 max; 0.30*	3.4 kVa 3.2 kW	Air or Nitrogen Only @ 90 - 120 psi (621 - 827 kPa)	4.5 cfm (129 L/Min) @ 60 psi (414 kPa)	3/8 in (10 mm)	400VDC
120Volts ±10% (15 A)	20 A @ 88VDC @ 35% Duty Cycle	20.6 max; 0.30*	2.5 kVa 2.3 kW				
240Volts ±10% (27 A)	27 A @ 91VDC @ 35% Duty Cycle	13.9 max; 0.13*	3.3 kVa 3.0 kW				
*While idling.							

Generator Output

Engine Speed of 1800 rpm +/- 10%.

ANSI Specifications:

- 3-phase: 240 V, 60 Hz, 7.5 kW
- 1-phase: 240 V/120 V, 60 Hz, 6 kW

Preparation and Inspection

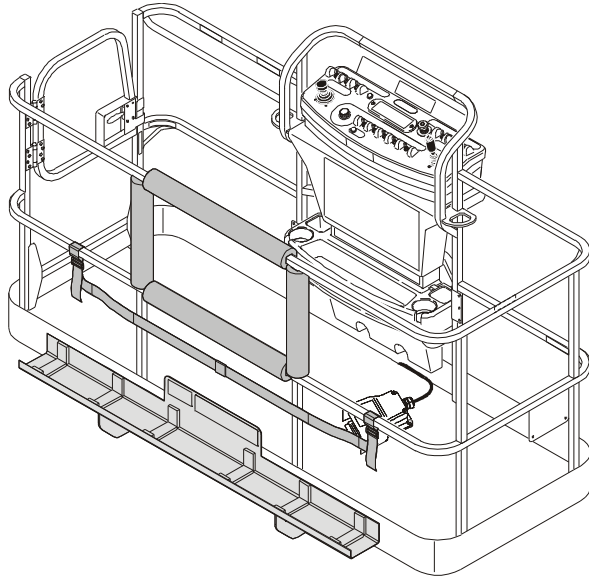
- Connect ground clamp to metal being cut.
- Ensure there is a good ground connection.

Operation

Start the engine, turn on the generator, then turn on the plasma cutter.

See the Miller Plasma Cutter Owner's Manual (PN 3128420) for more information.

6.4 SKYGLAZIER™



SkyGlazier™ allows glaziers to position panels efficiently. The glazier package consists of a tray that attaches the bottom of the platform. The panel rests on the tray and against top-rail of the platform, which is padded to prevent damage. SkyGlazier™ includes a strap to secure the panel to the platform rail.

Capacity Specifications

Capacity Zone *	Max. Tray Capacity	Max. Platform Capacity (With Max. Weight in Tray)
500lb (227 kg)	150lb (68 kg)	250lb (113 kg)
550lb (250 kg)	150lb (68 kg)	250lb (113 kg)
600lb (272 kg)	150lb (68 kg)	250lb (113 kg)
750lb (340 kg)	150lb (68 kg)	440lb (200 kg)
1000lb (454 kg)	250lb (113 kg)	500lb (227 kg)
* Refer to the capacity decals installed on the machine for capacity zone information.		
Required Platform Type: Side-Entry		
Max. Dimensions of Panel: 32 sq ft (3 sq m)		

Safety Precautions

WARNING

ENSURE PANEL IS SECURED WITH STRAP.

WARNING

DO NOT OVERLOAD TRAY OR PLATFORM. TOTAL MACHINE CAPACITY IS REDUCED WHEN TRAY IS INSTALLED.

WARNING

WITH SKYGLAZIER™ INSTALLED, THE ORIGINAL PLATFORM CAPACITY RATINGS ARE REDUCED AS SPECIFIED IN THE SPECIFICATIONS TABLE ABOVE. DO NOT EXCEED THE NEW PLATFORM CAPACITY RATING. REFER TO CAPACITY DECAL LOCATED ON TRAY.

WARNING

AN INCREASE OF THE AREA EXPOSED TO THE WIND WILL DECREASE STABILITY. LIMIT PANEL AREA TO 32 SQ FT (3 SQ M).

- Ensure no personnel are beneath platform.
- Do not exit platform over rails or stand on rails.
- Remove tray when not in use.
- Use this option only on approved models.

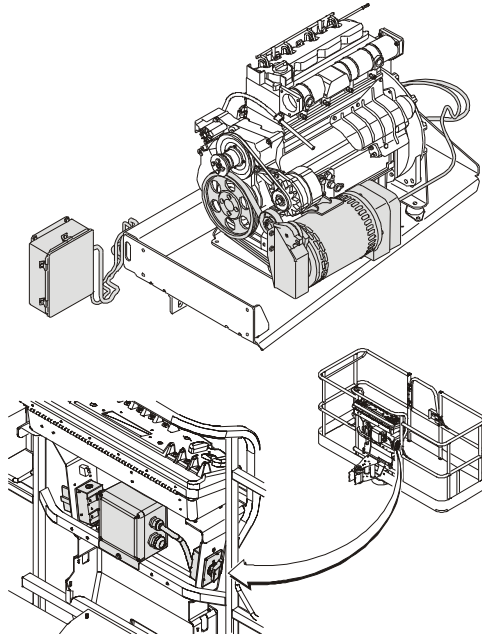
Preparation and Inspection

- Check for cracked welds and damage to tray.
- Ensure tray is properly secured to platform.
- Ensure strap is not torn or frayed.

Operation

1. Load SkyGlazier™ tray with panel.
2. Route the adjustable strap around the panel and tighten until secure.
3. Position panel to its desired location.

6.5 SKYPOWER™ 7.5 KW AND GENERATOR 4 KW



The SkyPower™ and generator systems supply AC power to the platform through an AC receptacle to run tools, lights, cutting, and welding equipment.

All power regulation components are located in a watertight box connected by cable to the generator. The generator supplies power when running at the specified speed with the power switch on (switch is located on platform). A two-pole, 20 A (4 kW) or a three-pole, 30 A (7.5 kW) circuit breaker protects the generator from overload.

Output

SkyPower 7.5 kW Specifications:

- 3-phase: 240 V, 60 Hz, 7.5 kW (Peak: 8.5 kW)
- 1-phase: 240 V/120 V, 60 Hz, 6 kW (Peak: 6.0 kW)

Generator 4 kW Specifications:

- 3-phase: 240 V, 7.5 kW, 18.3 A, 1.0-pf
- 1-phase: 240 V/120 V, 60 Hz, 4 kW
- 1-phase: 230 V/115 V, 50 Hz, 4 kW

Accessory Ratings

- 3000 rpm (50 Hz)
- 3600 rpm (60 Hz)

Safety Precautions

⚠ WARNING

DO NOT OVERLOAD PLATFORM.

- Ensure no personnel are beneath platform.
- This factory-installed option is available only on specified models.
- Keep lanyard attached at all times.
- Do not use electrical tools in water.
- Use correct voltage for tool being used.
- Do not overload circuit.

Preparation and Inspection

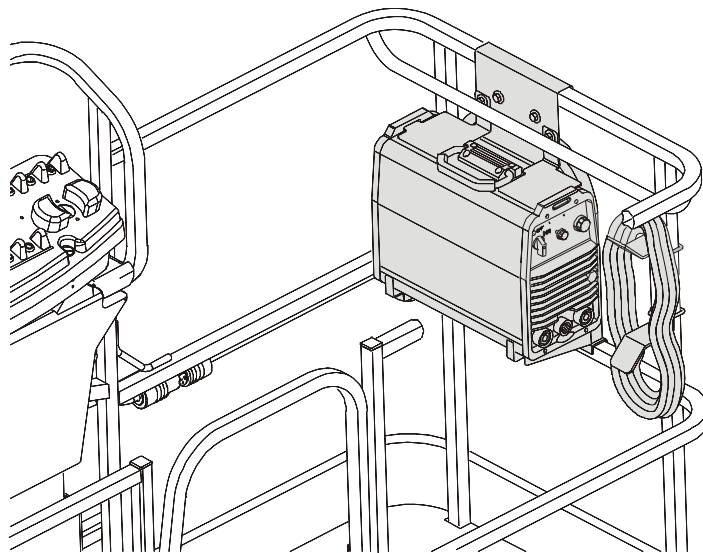
- Ensure generator is secure.
- Check condition of belt and wiring.

Operation

Start the engine, then turn on the generator.

See the Miller Generator Technical Manual (PN 3121677) for more information.

6.6 SKYWELDER™



SkyWelder™ is capable of TIG and Stick welding, producing 200 Amps at 100% duty cycle or 250 Amps at 50% duty cycle. This accessory receives power from the SkyPower™ system.

Accessory Ratings

Welding Mode	Input Power	Rated Output	Welding Amperage Range	Maximum Open Circuit Voltage	Amps Input At Rated Load Output (50/60 Hz)				
					230 V	460 V	575 V	kVa	kW
Stick (SMAW) TIG (GTAW)	3-phase	280 Amp at 31.2V, 35% Duty Cycle	5-250 A	79VDC	32	17	13	15.7	10
		200 Amp at 28V, 100% Duty Cycle			20	11	8	10.3	6.4
	1-phase	200 Amp at 28V, 50% Duty Cycle	5-200 A	79VDC	35	-----	-----	9.8	6.5
		150 Amp at 28V, 100% Duty Cycle			34	-----	-----	6.9	4.4

Generator Output

Engine Speed of 1800 rpm +/- 10%.

ANSI Specifications:

- 3-phase: 240 V, 60 Hz, 7.5 kW
- 1-phase: 240 V/120 V, 60 Hz, 6 kW

Welding Accessories

- 12 ft welding leads with clamp and stinger (stored in the platform)
- Fire extinguisher

Safety Precautions

⚠ WARNING

DO NOT OVERLOAD PLATFORM.

⚠ WARNING

DE-RATE THE PLATFORM BY 70 LB (32 KG) WHEN WELDER IS IN THE PLATFORM.

- Check for cracked welds and damage to welder supports.
- Check for proper and secure installation of welder and bracket.
- Ensure no personnel are beneath platform.
- Do not exit platform over rails or stand on rails.
- Use this option only on approved models.
- Keep lanyard attached at all times.
- Ensure correct polarity of leads.
- Wear proper welding apparel.

- Use correct rod size and current settings.
- Do not use electrical cords without ground.
- Do not use electrical tools in water.
- Do not weld to the platform.
- Do not ground through the platform.
- Do not use a high frequency arc starter with TIG welder.

Preparation and Inspection

- Connect ground clamp to metal being welded.
- Ensure there is a good ground connection and observe proper polarity.

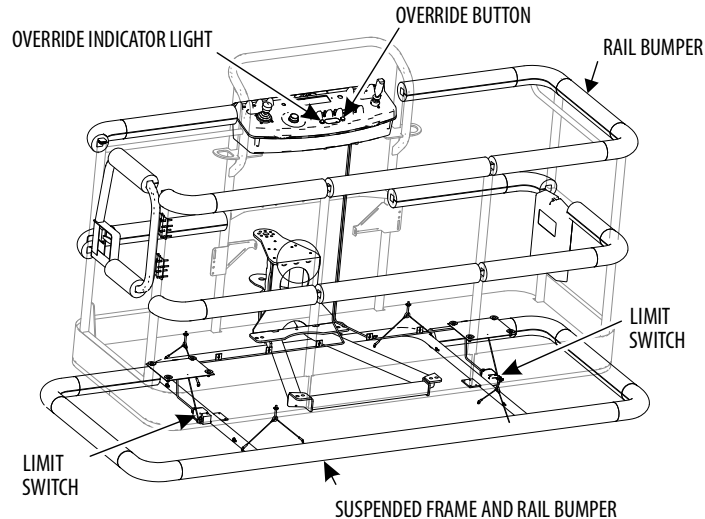
Operation

Start the engine, turn on the generator, then turn on the welder.

See the Miller Welder Owner's Manual (PN 3128957) for more information.

6.7 SOFT TOUCH

A padding kit is mounted to the platform rails and to a frame suspended below the platform. Limit switches deactivate platform functions when the padded framework contacts an adjacent structure. A button on the platform console allows override of the system.



6.8 BOLT-ON EXTERNAL FALL ARREST

The bolt-on external fall arrest system is designed to provide a lanyard attach point while allowing the operator to access areas outside the platform. Exit/Enter the platform through the gate area only. The system is designed for use by one person.

Personnel must use fall protection at all times. A full body harness is required with lanyard not to exceed 6 ft. (1.8 M) in length, that limits the maximum arrest force to 900 lb (408 kg).

External Fall Arrest System capacity is 310 lb (140 kg) - one (1) person maximum.

Do not move platform during use of the external fall arrest system.

⚠ WARNING

DO NOT OPERATE ANY MACHINE FUNCTIONS WHILE OUTSIDE OF PLATFORM. BE CAREFUL WHEN ENTERING/EXITING THE PLATFORM AT ELEVATION.

⚠ WARNING

IF THE EXTERNAL FALL ARREST SYSTEM IS USED TO ARREST A FALL OR IS OTHERWISE DAMAGED, THE ENTIRE SYSTEM MUST BE REPLACED AND THE PLATFORM FULLY INSPECTED BEFORE RETURNING TO SERVICE. REFER TO THE SERVICE MANUAL FOR REMOVAL AND INSTALLATION PROCEDURES.

NOTICE

THE EXTERNAL FALL ARREST SYSTEM REQUIRES AN ANNUAL INSPECTION AND CERTIFICATION. THE ANNUAL INSPECTION AND CERTIFICATION MUST BE PERFORMED BY A QUALIFIED PERSON OTHER THAN THE USER.

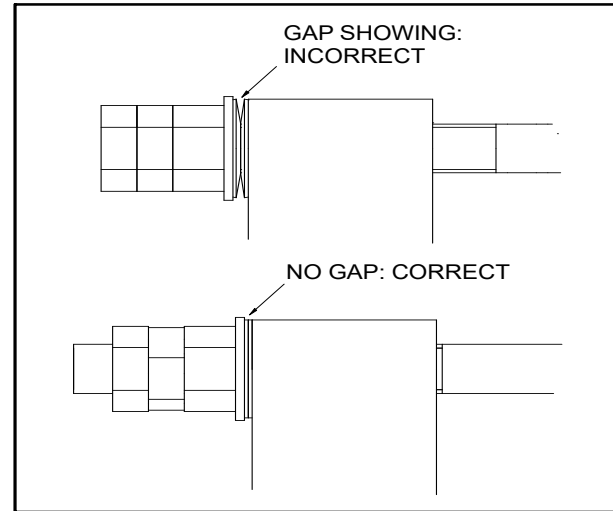
Inspection Before Use

The external fall arrest system must be inspected before each use of the machine. Replace components if there are any signs of wear or damage.

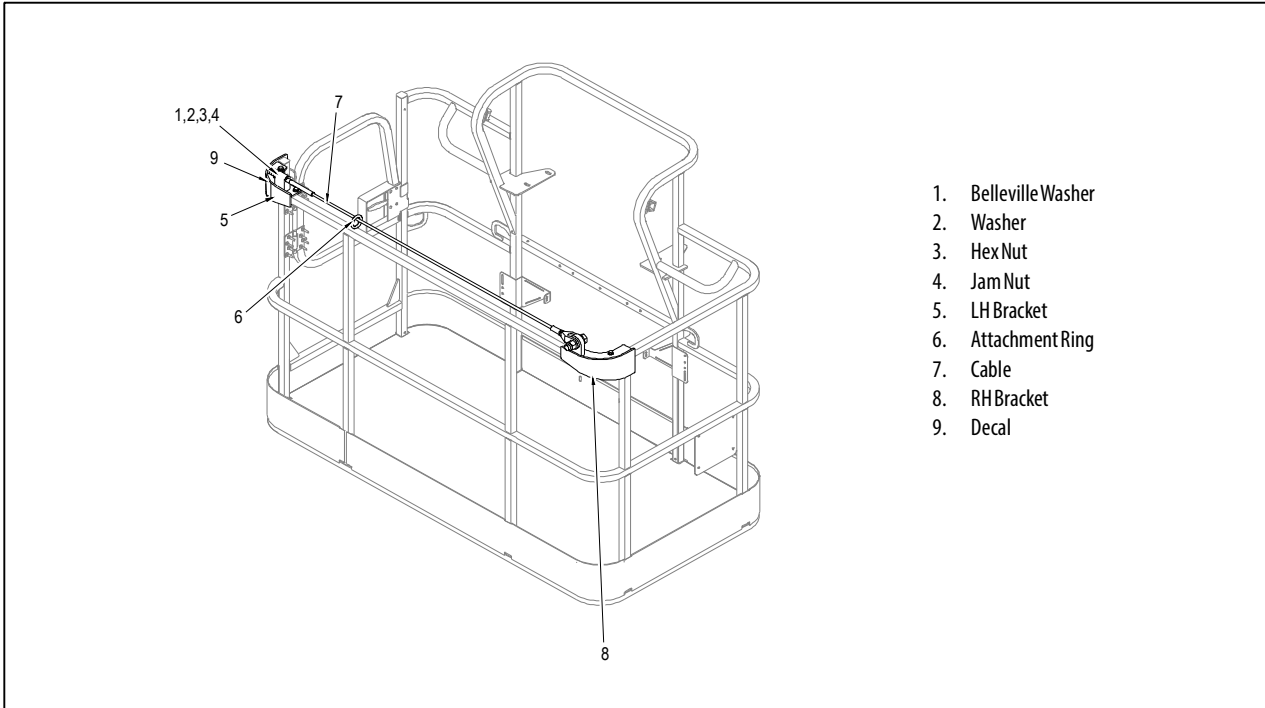
Before each use, perform a visual inspection of the following components:

- Cable: Inspect cable for proper tension, broken strands, kinks, or any signs of corrosion.
- Fittings & Brackets: Ensure all fittings are tight and there are no signs of fractures. Inspect brackets for any damage.
- Attachment Ring: No cracks or signs of wear are acceptable. Any signs of corrosion requires replacement.
- Attaching Hardware: Inspect all attaching hardware to ensure there are no missing components and hardware is properly tightened.
- Platform Rails: No visible damage is acceptable.

Bolt-On External Fall Arrest Cable Tension



Bolt-On External Fall Arrest System



6.9 SKYSENSE

WARNING

SKYSENSE IS NOT INTENDED TO REPLACE OR REDUCE THE NEED FOR THE OPERATOR TO BE AWARE OF THE ENVIRONMENT AROUND THE MACHINE. HAZARDS THAT WILL CAUSE SERIOUS INJURY OR DEATH MAY NOT BE PREVENTED OR REDUCED BY SKYSENSE. THE OPERATOR MUST ALWAYS LOOK IN THE DIRECTION OF TRAVEL, AVOID POWER LINES, AVOID OBSTACLES THAT COULD STRIKE THE MACHINE OR PERSONS IN THE PLATFORM, AND FOLLOW ALL INSTRUCTIONS, DECALS, AND OTHER WARNINGS PROVIDED WITH THIS MACHINE.

THE OPERATOR MUST NOT RELY ON SKYSENSE AS A SUBSTITUTE FOR FOLLOWING THE INSTRUCTIONS AND WARNINGS CONTAINED IN THE MANUALS AND PLACARDS PROVIDED WITH THIS MACHINE.

SKYSENSE IS INTENDED TO ASSIST THE OPERATOR. SKYSENSE MAY NOT DETECT CERTAIN OBJECTS DEPENDING ON SHAPE, TYPE OF MATERIAL, OR ORIENTATION OF THE OBJECT TO THE SENSORS. IT IS THE OPERATOR'S RESPONSIBILITY TO BE AWARE OF THEIR SURROUNDINGS AT ALL TIMES.

WARNING

DE-RATE THE PLATFORM BY 10 LB (4.5 KG) PER BAR WHEN INSTALLED ON THE PLATFORM (20 LB (9 KG) OR 30 LB (14 KG) TOTAL).

NOTE: *SkySense is not active when operating the machine from the ground controls.*

Preparation and Inspection

Pre-Operation Inspection:

1. Inspect each of the SkySense tubes for dents, cracks, or other damage.
2. Inspect each SkySense sensor for any damage to the housing or sensor.

To test the SkySense system:

1. In an area free of obstructions, ensure the machine is on a smooth, firm surface within the limits of the maximum operating slope.
2. From the platform control console, elevate the boom until the bottom of the platform is at least 6 feet off the ground.
3. Continue to elevate the platform.
4. While elevating, hold your hand 6 inches to 12 inches above one of the upward facing sensors. The machine should stop, and the LED corresponding to that sensor (left LED for left sensor bar; right LED for right sensor bar; both LEDs for center sensor bar or overhead sensor) should be red.
5. Recycle the footswitch and press the override button on the platform control console.

6. Ensure the area below the platform is clear of obstructions and lower the platform. The machine should slow down, (SkySense Status LED will blink yellow with increasing frequency) and stop, (SkySense Status LED will be illuminated solid red) when the bottom of the platform is approximately 12 inches from the ground. The alarm should sound if it is not muted (refer to SkySense Alarm).
7. Recycle the footswitch and press the override button on the platform control console.
8. Continue to lower the platform. The machine should move in the elevated drive speed mode (SkySense Status LED will remain red).

NOTE: *The SkySense system will not stop machine operation while in Creep.*

Operation

SkySense slows a machine's function to creep speed when it is a certain distance away from an object, known as the "warning zone." If the machine continues to approach the object and moves into the "stop zone," SkySense stops all machine functions.

For proportional functions activated by the joystick, the size of the warning zone varies based on the amount of joystick activation. The stop zone always activates at the same distance from the object regardless of the joystick's position.

If the function has reached the warning zone, normal drive speed will resume when a function is activated in the opposite direction. If the machine has reached the SkySense stop zone, release the function and recycle the footswitch to activate a function in the opposite direction.

SkySense is active during the following functions:

- Lift Up/Down (including jib functions)
- Platform Rotate (including jib rotate)
- Telescope Out
- Swing
- Reverse Drive

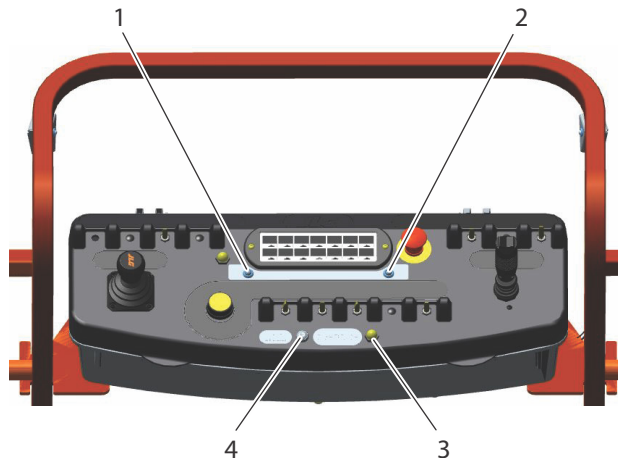
SECTION 6 - ACCESSORIES

NOTE: During active DOS (Drive Orientation System), SkySense is active when driving in both forward and reverse directions.

There are two LED indicators on the platform control box that signal SkySense activity.

- **No LED:** Normal operation.
- **LED Flashing Yellow:** Machine is in SkySense warning zone and will reduce function speed to creep. Flash frequency correlates to proximity of object.
- **LED Red:** Machine is in SkySense stop zone and all machine functions will cease.

LED Flashing Red: SkySense sensor is obstructed or damaged. Obstructions must be removed and proper function verified. Damaged sensors must be replaced.



1. LED Indicator Light
2. LED Indicator Light
3. Override Button
4. Mute Speaker Switch

SkySense Platform Panel Indicators

SkySense Alarm

Activation of SkySense is signaled by an audible alarm and the LEDs on the platform console that indicate SkySense activity when reaching the warning or stop zones.

In the warning zone, the audible alarm will pulse and increase in frequency as the machine moves closer to the object. In the stop zone, the alarm will sound a continuous tone.

Additionally, when the machine is in the stop zone, the platform control panel audible alarm will sound. The system may be reset by recycling the footswitch.

The audible SkySense alarms can be muted by a switch on the platform control console, although LEDs will continue to light. The platform control panel alarm will sound when the machine enters the SkySense stop zone even when muted.

Override Button

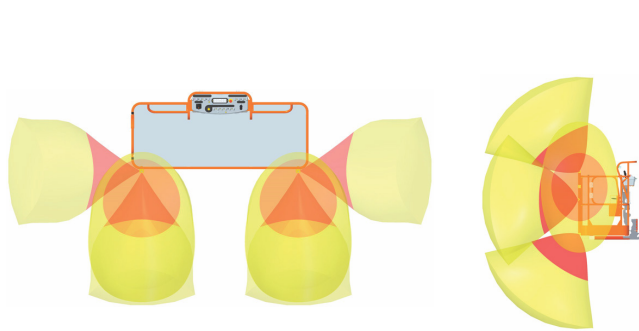
The yellow override button allows operators to bypass normal SkySense operation in order to move closer to an object in the stop zone.

When the operator overrides the SkySense via the override button to get closer to a work surface, the machine will maintain creep speed and flash the appropriate indicator color based on location in either the warning or stop zones.

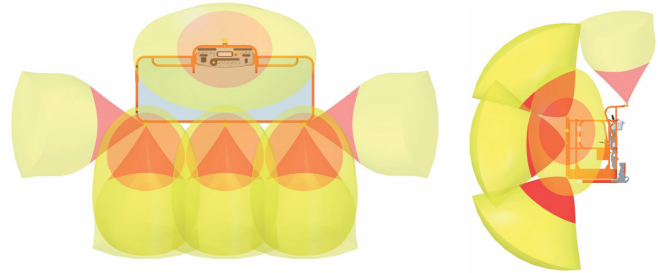
NOTE: *Override is only required to be engaged if the operator desires to move the platform closer to an object that is in or entering the stop zone.*

SKYGUARD OPERATION IS AFFECTED WHEN SKYSENSE IS INSTALLED ON A MACHINE. IF SKYSENSE ACTIVATION OCCURS PRIOR TO SKYGUARD ACTIVATION, SKYGUARD WILL ONLY CUT OUT FUNCTIONS IF ACTIVATED. IF SKYGUARD ACTIVATION OCCURS PRIOR TO SKYSENSE ACTIVATION, SKYGUARD WILL FUNCTION NORMALLY.

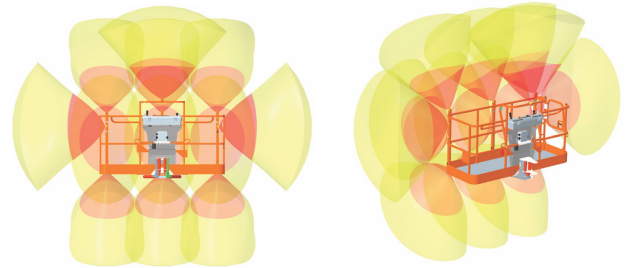
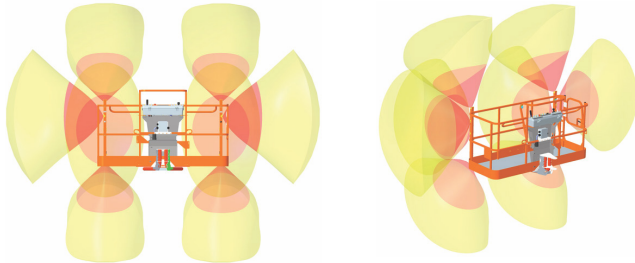
SkySense Coverage Areas



Level 1 (2-Bar)



Level 2 (3-Bar)



NOTE: Sensor Cones shown are approximations for reference only.

SECTION 7. GENERAL SPECIFICATIONS & OPERATOR MAINTENANCE

7.1 INTRODUCTION

This section of the manual provides additional necessary information to the operator for proper operation and maintenance of this machine.

The maintenance portion of this section is intended as information to assist the machine operator to perform daily maintenance tasks only, and does not replace the more thorough Preventive Maintenance and Inspection Schedule included in the Service and Maintenance Manual.

Other Publications Available:

Service and Maintenance Manual 31215881
 Illustrated Parts Manual 31215882

7.2 OPERATING SPECIFICATIONS

Table 7-1. Operating Specifications

Maximum Work Load (Capacity) - ANSI	
Unrestricted:	660 lb (299 kg)
Restricted:	750 lb (340 kg)
Restricted:	1000 lb (454 kg)
Maximum Work Load (Capacity) - CE	
Unrestricted:	660 lb (300 kg)
Restricted:	750 lb (340 kg)
Restricted:	1000 lb (454 kg)
Maximum Operating Slope	5°
Maximum Travel Grade, Stowed Position (Gradeability)	45%
Maximum Travel Grade, Stowed Position (Side Slope)	5°
Turning Radius - (outside)	16 ft. 11.3 in. (5.17 m)
Turning Radius - (inside)	7 ft. 0.6 in. (2.15 m)
Maximum Tire Load:	12,800 lb (5806 kg)
Ground Bearing Pressure	77 psi (5.5 kg/cm ²)
Maximum Drive Speed	4.25 MPH (6.84 Km/hr.)

SECTION 7 - GENERAL SPECIFICATIONS & OPERATOR MAINTENANCE

Table 7-1. Operating Specifications

Gross Machine Weight (Approximate)	24,895 lb (11,292 kg)
Ambient (Operating) Temperature	See Figures 7-1 through 7-4

Dimensional Data

Table 7-2. Dimensional Data

Machine Height (Stowed) 600AJHC3	8 ft. 5.5 in. (2.58 m)
Machine Length (Stowed) 600AJHC3	30 ft. (9.15 m)
Machine Width (Overall)	8 ft. 2.2 in. (2.49 m)
Wheelbase	8 ft. 1.9 in. (2.48 m)
Ground Clearance	11.8 in. (0.3 m)
Platform Height 600AJHC3	60 ft. 7 in. (18.47 m)
Horizontal Reach 600AJHC3	39 ft. 9 in. (12.10 m)
Tail Swing	0 in. (0 m)

Capacities

Table 7-3. Capacities

Fuel Tank	30 Gallons (113.6 L)
Hydraulic Oil Tank	30.6 Gallons (115.8 L)
Hydraulic System (Including Tank)	40 Gallons (151.4 L)
Torque Hub, Drive*	20 ounces (0.6 L)
Engine Crankcase Deutz D2011L04 Deutz TD 2.9L	11 quarts (10.5 L) 2.4 Gallon (8.9 L) w/Filter
*Torque hubs should be one half full of lubricant.	

Engine Data

Table 7-4. Deutz D2011L04 Specifications

Fuel	Diesel
Oil Capacity	
Cooling System	5 Quarts (4.5 L)
Crankcase	11 Quarts (10.5 L) w/Filter
Total Capacity	16 Quarts (15 L)
Idle RPM	1000
Low RPM	1800
High RPM	2500
Alternator	60 Amp, belt drive
Battery	950 Cold Cranking Amps, 205 Minutes Reserve Capacity, 12 VDC
Fuel Consumption	0.65 GPH (2.46 lph)
Horsepower	49

Table 7-5. Deutz 2.2L Stage V Specifications

Type	Liquid Cooled
Number of Cylinders	3
Bore	3.6 in (92 mm)
Stroke	4.3 in (110 mm)
Total Displacement	133.8 cu. in (2194 cm ³)
Firing Order	1-2-3
Output	49 hp (36.5 kW)
Oil Capacity	2.11 gal (8.0 L)
Coolant Capacity (System)	2.31 gal (8.75 L)
Average Fuel Consumption	0.69 gph (2.63 Lph)
Min. Low Engine RPM	1200
Mid Engine RPM	1800
Max. High Engine RPM	2600

SECTION 7 - GENERAL SPECIFICATIONS & OPERATOR MAINTENANCE

Table 7-6. Deutz TD 2.9L Specifications

Fuel	Ultra Low Sulfur Diesel (15 ppm)
Output	67 hp (50 kW)
Torque	173 ft.lbs. (234 Nm) @ 1800rpm
Oil Capacity (Crankcase)	2.4 Gallon (8.9 L) w/Filter
Cooling System	3.3 Gallon (12.5 L)
Low RPM	1200 ± 50 rpm
High RPM	2600 ± 50 rpm
Alternator	95 Amp
Fuel Consumption	0.65 GPH (2.48 lph)

Table 7-7. Ford DF 2.5L, MSG 425

Fuel	Gasoline/LP Gas
Oil Capacity	7 qt (6.6L)
Coolant Capacity	0.63 Gallon (2.4L)
Low RPM	1000 ± 50 RPM
High RPM	3200 ± 50 RPM
Alternator	150 Amp
Starter	64.4 Amp @ 3574 RPM
Fan Ratio	1:3
Fuel Consumption	
Gas	1 GPH (3.79 LPH)
LP	5.34 lb/h (2.42 Kg/h)
Max Output (Power)	
Gasoline	84HP @ 3200
LP	80HP @ 3200
Max Output (Torque)	
Gasoline	142 ft.lb (192 Nm) @ 2400 RPM
LP	145 ft.lb (197 Nm) @ 2400 RPM

Tires

Table 7-8. Tire Specifications

Size	IN355/55D 625
Load Range	G
Ply Rating	14
Tire Pressure	Foam-Filled

* Load Capacity - 12,800 lb. (5806 kg) - Static

Hydraulic Oil

Table 7-9. Hydraulic Oil

HYDRAULIC SYSTEM OPERATING TEMPERATURE RANGE	SAE VISCOSITY GRADE
+0° to +180° F (-18° C to +83° C)	10W
+0° F to +210° F (-18° C to +99° C)	10W-20, 10W-30
+50° F to +210° F (+10° C to +210° C)	20W-20

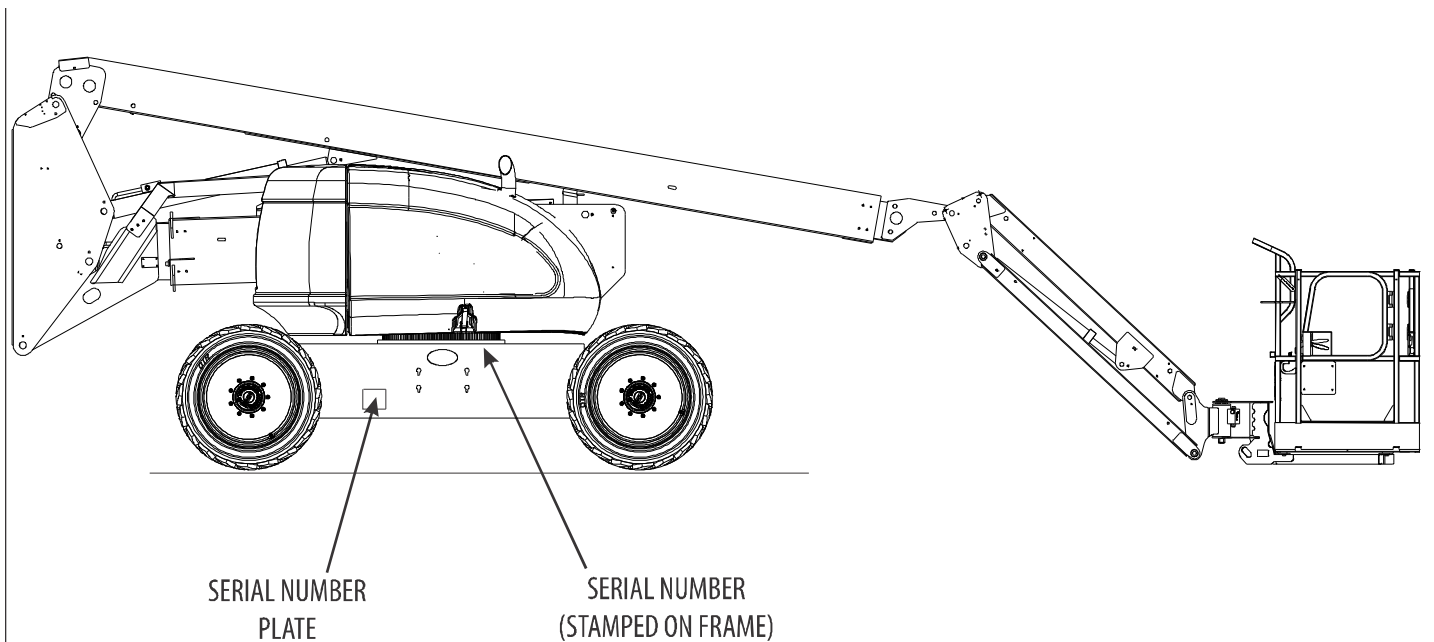
NOTE: Hydraulic oils must have anti-wear qualities at least to API Service Classification GL-3, and sufficient chemical stability for mobile hydraulic system service. JLG Industries recommends standard UTTO.

NOTE: When temperatures remain below 20° F (-7 degrees C), JLG Industries recommends the use of premium cold weather hydraulic fluid.

Aside from JLG recommendations, it is not advisable to mix oils of different brands or types, as they may not contain the same required additives or be of comparable viscosities. If use of hydraulic oil other than *standard UTTO* is desired, contact JLG Industries for proper recommendations.

Serial Number Locations

A serial number plate is affixed to the left side of the frame. If the serial number plate is damaged or missing, the machine serial number is stamped on the left side of the frame.



SECTION 7 - GENERAL SPECIFICATIONS & OPERATOR MAINTENANCE

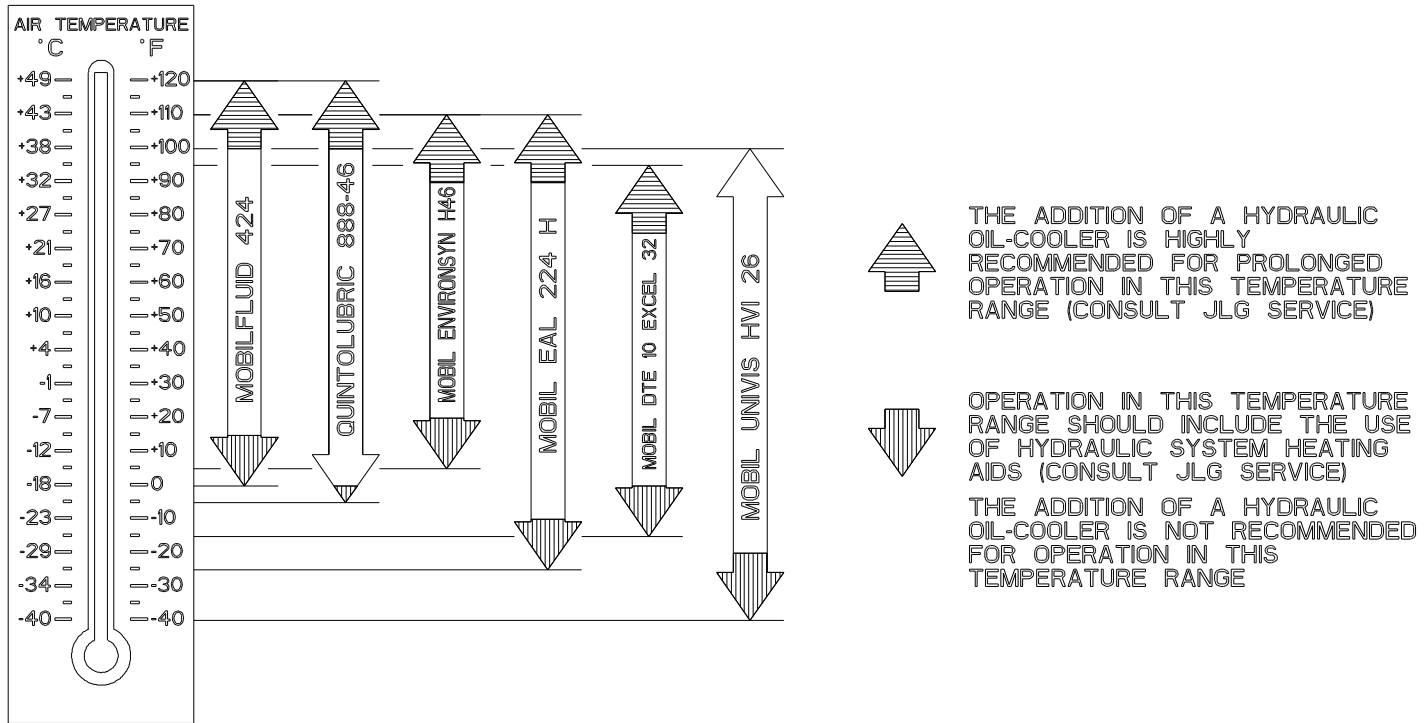


Figure 7-1. Hydraulic Oil Operation Chart - Sheet 1 of 2

1001206353 A

SECTION 7 - GENERAL SPECIFICATIONS & OPERATOR MAINTENANCE

Fluid	Properties		Base				Classifications			
	Description	Viscosity at 40°C (cSt, Typical)	Viscosity Index	Mineral Oils	Vegetable Oils	Synthetic	Synthetic Polyol Esters	Readily Biodegradable*	Virtually Non-toxic**	Fire Resistant***
Shell Spirax S4 TXM - Recommended	67	146	X							
Mobilfluid 424 - <i>Optional</i>	60	134	X							
Shell Tellus S2 VX 32 - Recommended	32	142	X					X		
Mobil DTE 10 Excel 32 - <i>Optional</i>	32	164	X					X		
Shell Tellus S4 VX 32 - Recommended	32	296	X							
Univis HVI 26 - <i>Optional</i>	26	376	X							
Shell Naturelle HF - E32 - Recommended	31	192		X			X	X		
Mobil EAL EnviroSyn H32 - <i>Optional</i>	34	146		X			X	X		
Shell Naturelle HF - E46 - Recommended	46	193			X		X	X		
Mobil EAL EnviroSyn H46 - <i>Optional</i>	49	145			X		X	X		
Quintolubric 888-46	48	190				X	X	X	X	
Hydrolube HP-5046D	46	192				X	X	X	X	X

* Readily biodegradable classification indicates one of the following:

CO₂ Conversion > 60% per EPA 560/6-82-003

CO₂ Conversion > 80% per CEC-L-33-A-93

** Virtually Non-toxic classification indicates an LC50 > 5000 ppm per OECD 203

*** Fire Resistant classification indicates Factory Mutual Research Corp. (FMRC) Approval

Figure 7-2. Hydraulic Oil Operation Chart - Sheet 2 of 2

SECTION 7 - GENERAL SPECIFICATIONS & OPERATOR MAINTENANCE

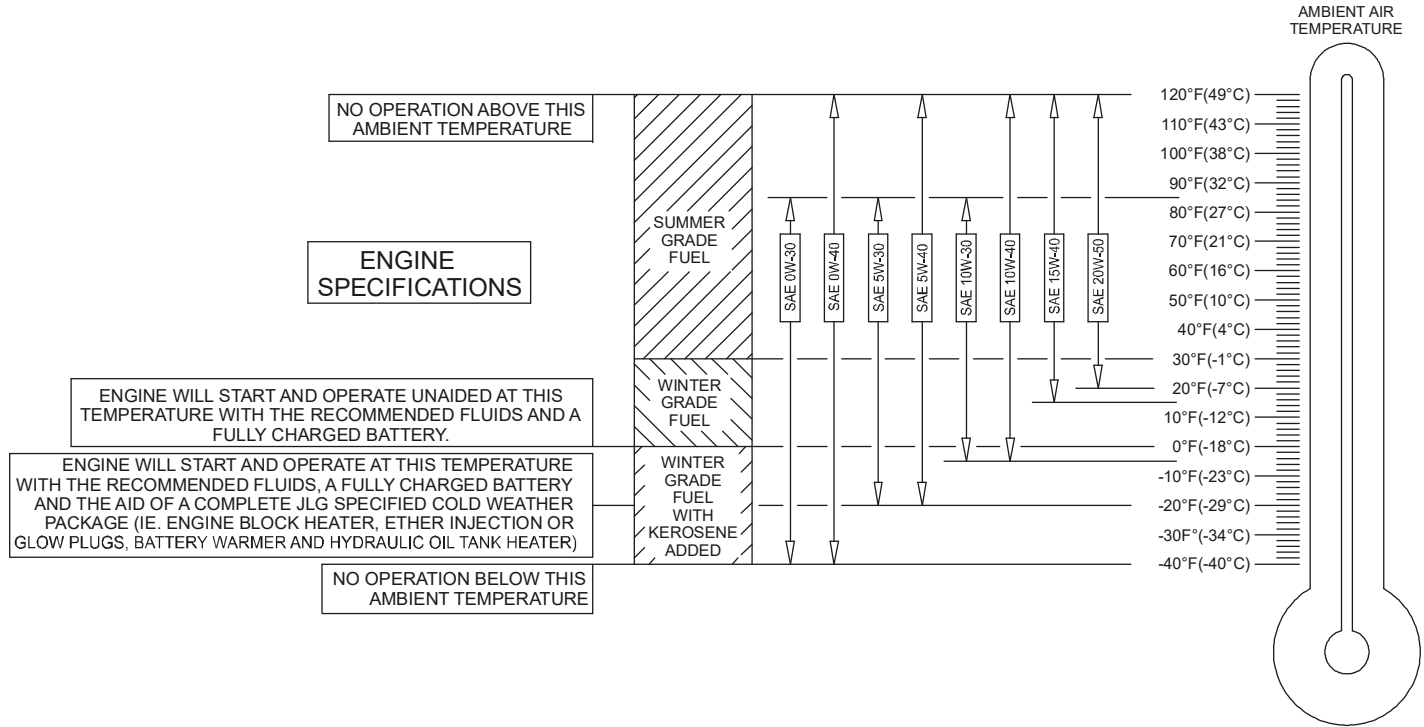


Figure 7-3. Engine Operating Temperature Specifications - Deutz - Sheet 1 of 2

SECTION 7 - GENERAL SPECIFICATIONS & OPERATOR MAINTENANCE

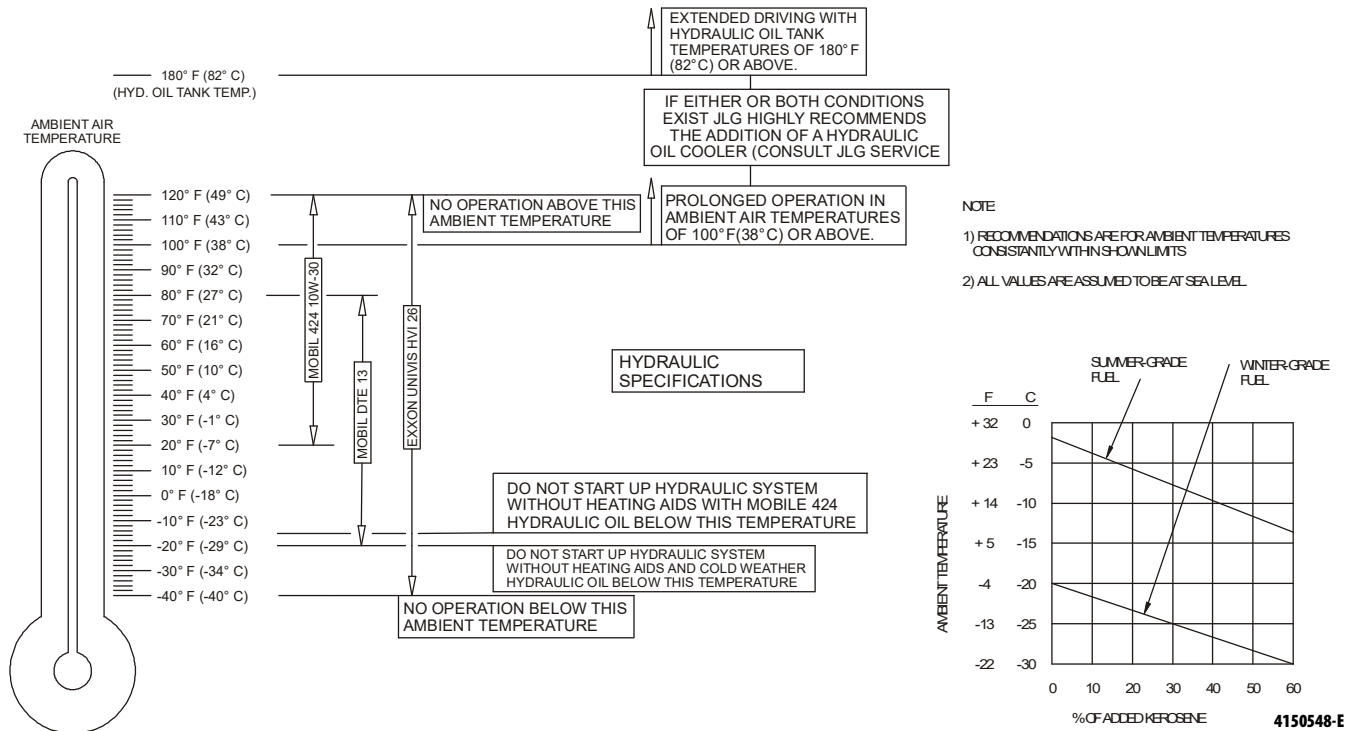


Figure 7-4. Hydraulic Operating Temperature Specifications - Deutz - Sheet 2 of 2

SECTION 7 - GENERAL SPECIFICATIONS & OPERATOR MAINTENANCE

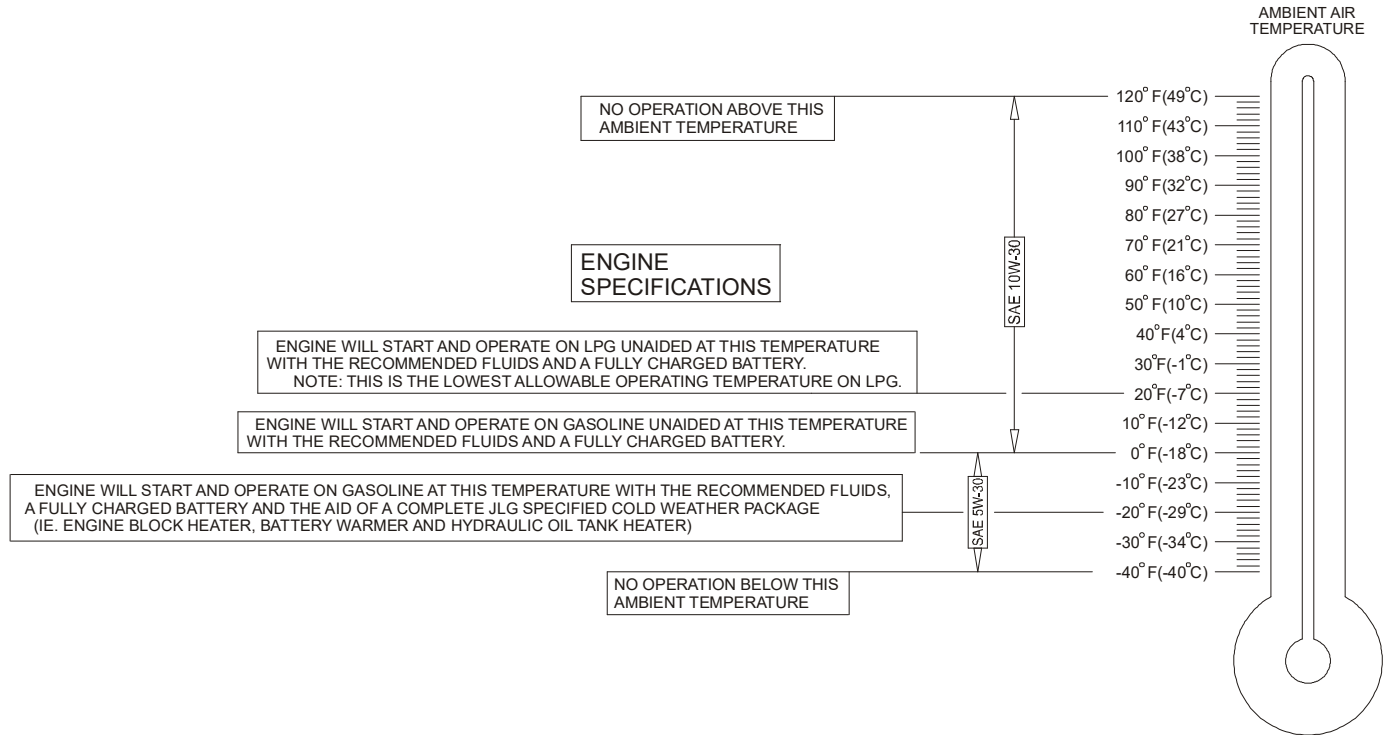
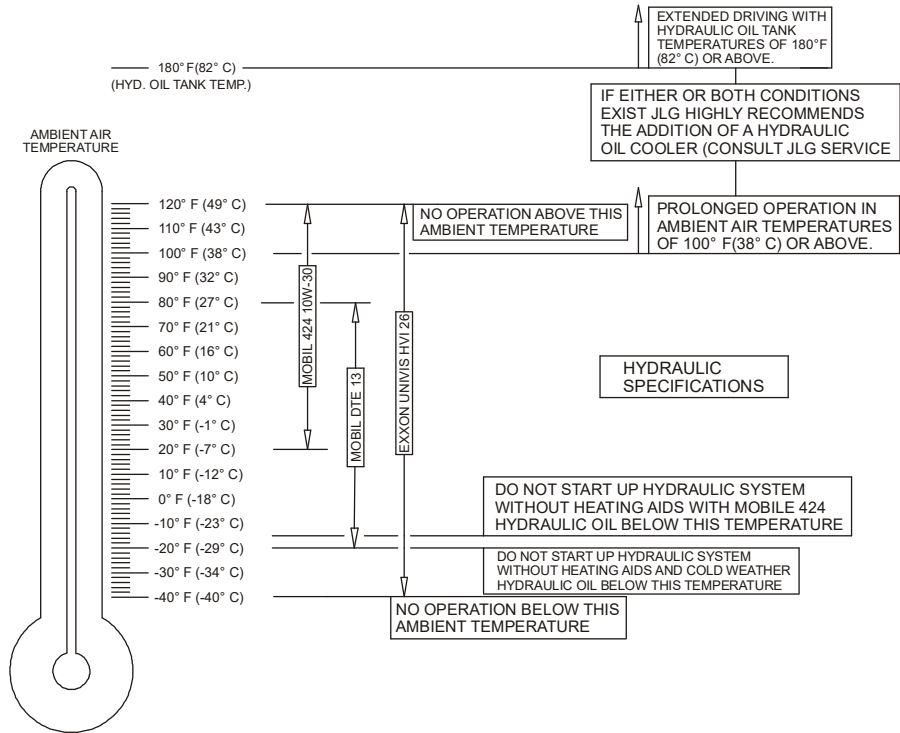


Figure 7-5. Engine Operating Temperature Specifications - Sheet 1 of 2

SECTION 7 - GENERAL SPECIFICATIONS & OPERATOR MAINTENANCE

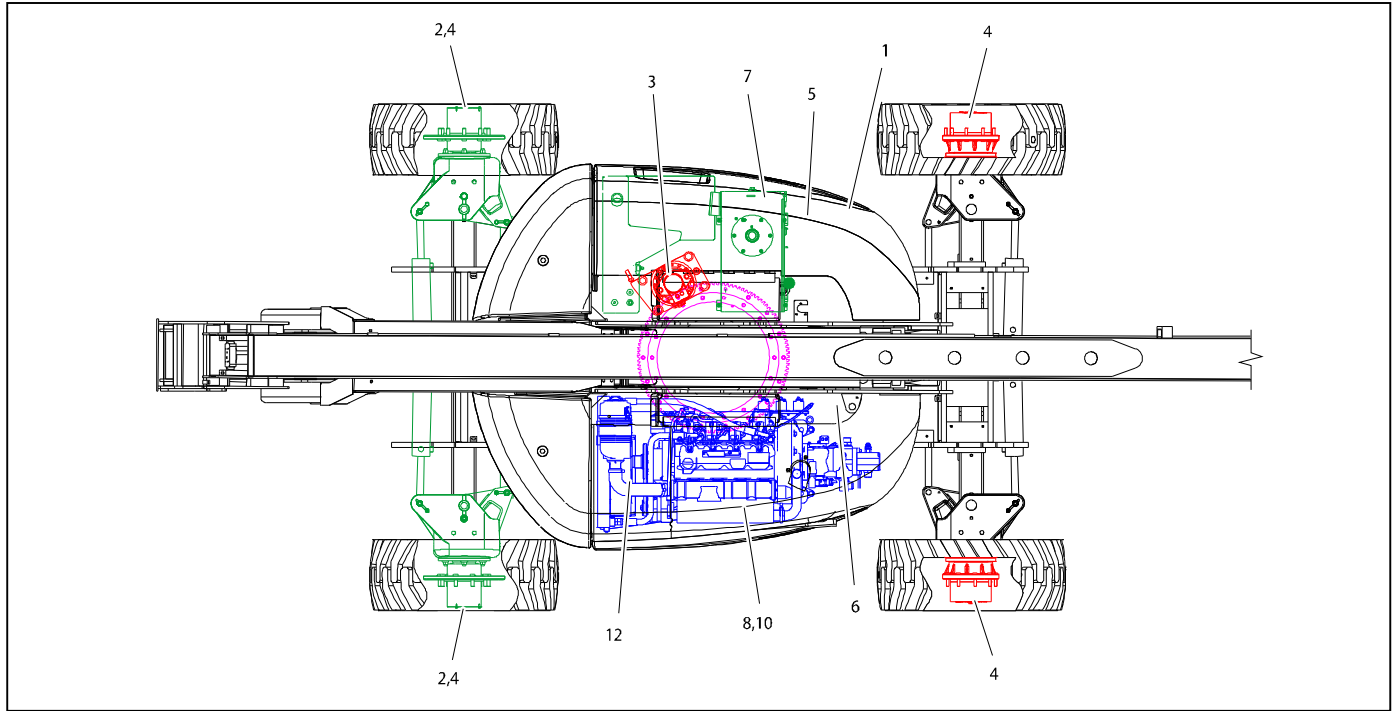


- NOTE:
- 1) RECOMMENDATIONS ARE FOR AMBIENT TEMPERATURES CONSISTENTLY WITHIN SHOWN LIMITS
 - 2) ALL VALUES ARE ASSUMED TO BE AT SEA LEVEL.

Figure 7-6. Hydraulic Operating Temperature Specifications - Sheet 2 of 2

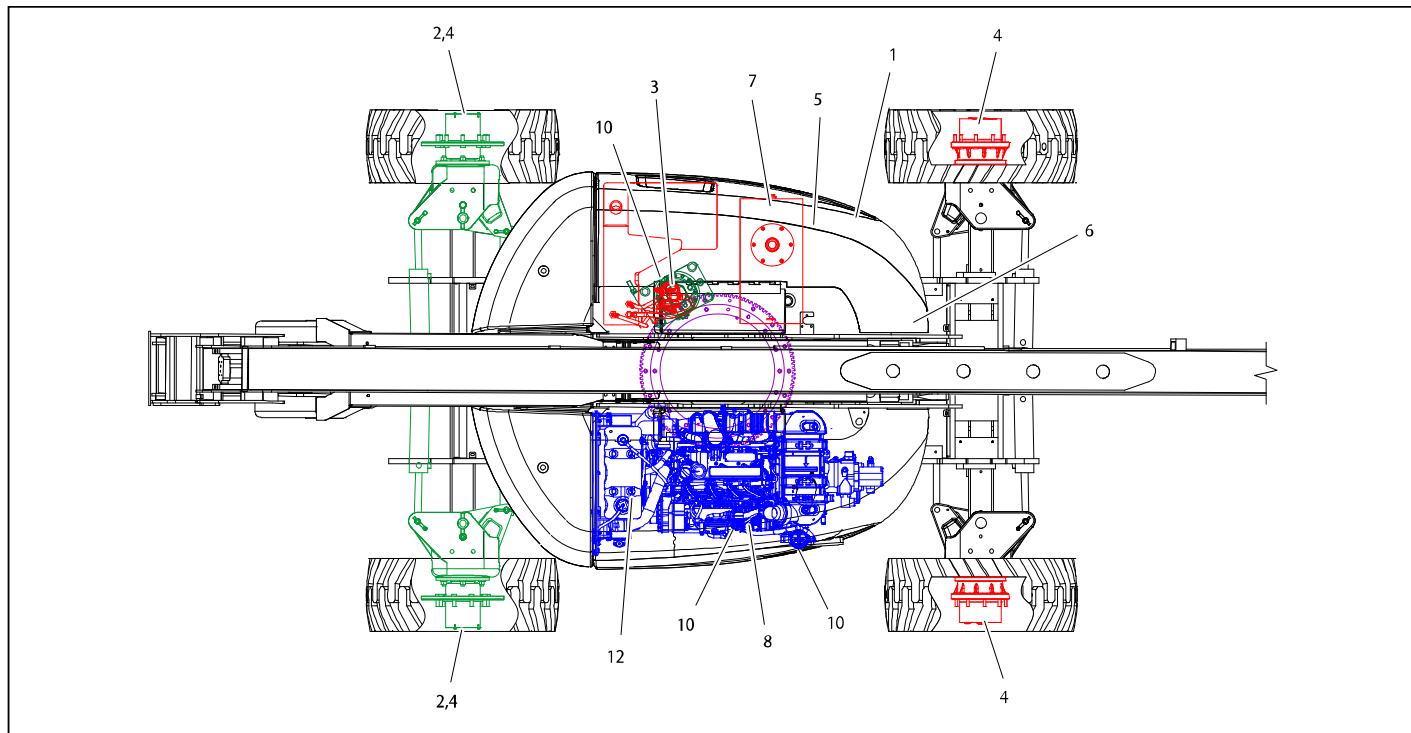
4150548-E

7.3 OPERATOR MAINTENANCE AND LUBRICATION DIAGRAM
DEUTZ D2011L04

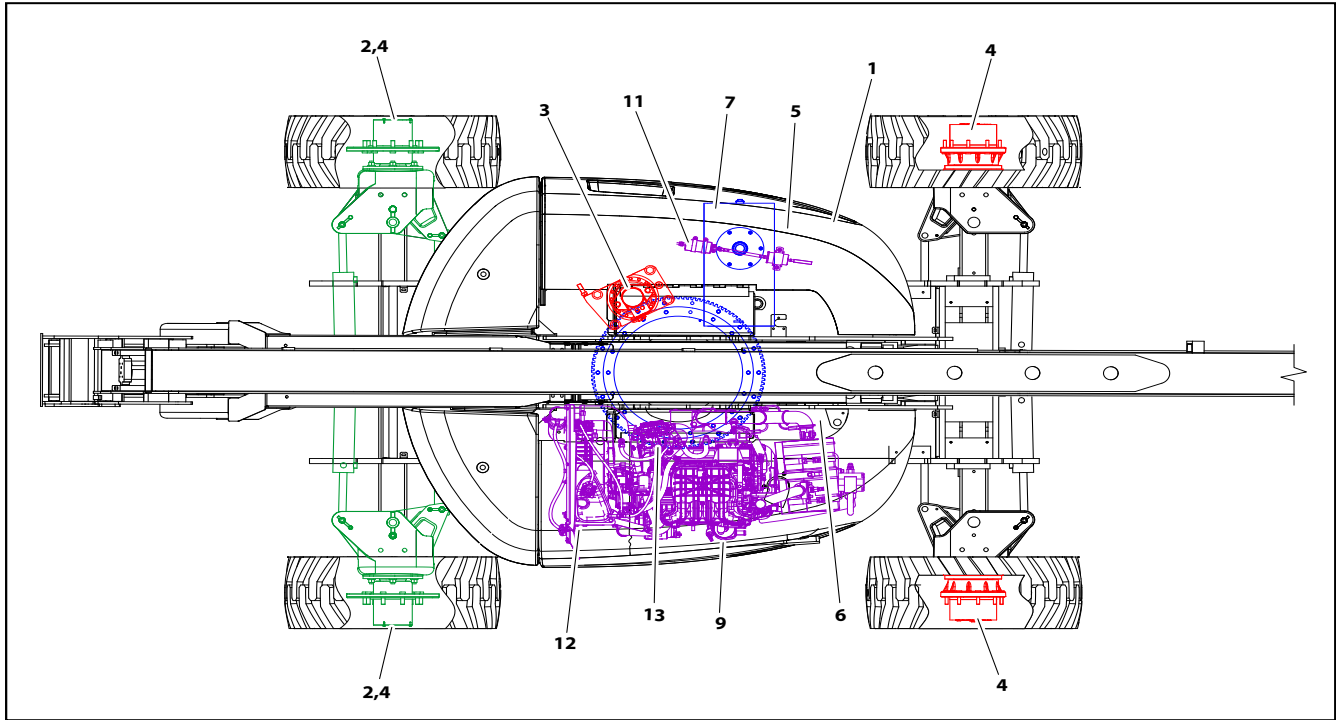


SECTION 7 - GENERAL SPECIFICATIONS & OPERATOR MAINTENANCE

Deutz TD 2.9L, 2.2L Stage V



Ford DF 2.5L, MSG 425



SECTION 7 - GENERAL SPECIFICATIONS & OPERATOR MAINTENANCE

7.4 OPERATOR MAINTENANCE

NOTE: The following numbers correspond to those in Figure 7.3, Operator Maintenance and Lubrication Diagram Deutz D2011L04.

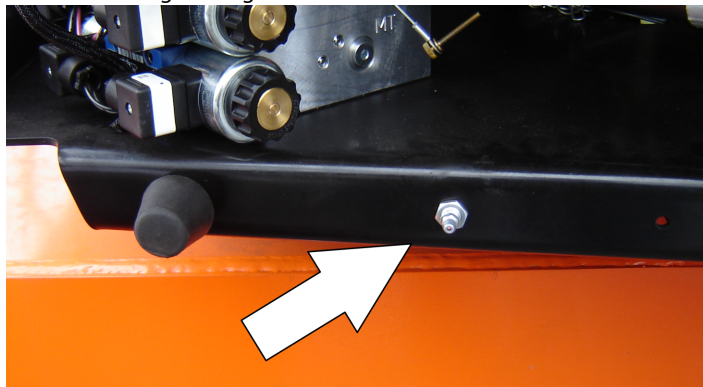
Table 7-10. Lubrication Specifications

KEY	SPECIFICATIONS
MPG	Multipurpose Grease having a minimum dripping point of 350° F (177° C). Excellent water resistance and adhesive qualities, and being of extreme pressure type. (Timken OK 40 pounds minimum.)
EPGL	Extreme Pressure Gear Lube (oil) meeting API service classification GL-5 or MIL-Spec MIL-L-2105
HO	Hydraulic Oil. API service classification GL-3, e.g. <i>standard UTTO</i> .
EO	Engine (crankcase) Oil. Gas - API SF, SH, SG class, MIL-L-2104. Diesel - API CC/CD class, MIL-L-2104B/MIL-L-2104C.

NOTICE

LUBRICATION INTERVALS ARE BASED ON MACHINE OPERATION UNDER NORMAL CONDITIONS. FOR MACHINES USED IN MULTI-SHIFT OPERATIONS AND/OR EXPOSED TO HOSTILE ENVIRONMENTS OR CONDITIONS, LUBRICATION FREQUENCIES MUST BE INCREASED ACCORDINGLY.

1. Swing Bearing



Lube Point(s) - 1 Grease Fittings

Capacity - A/R

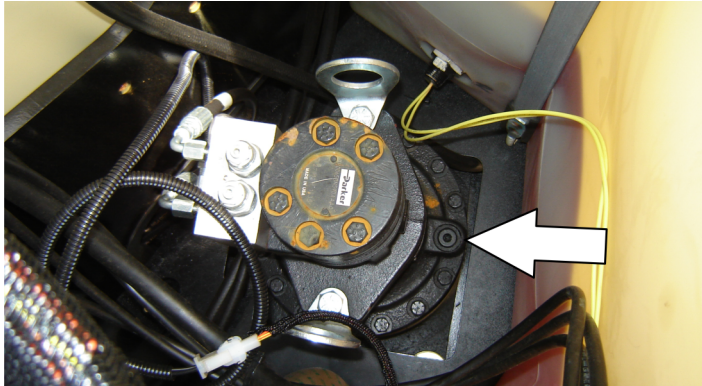
Lube - MPG

Interval - Every 3 months or 150 hrs of operation

Comments - Remote Access. Apply grease and rotate in 90 degree intervals until bearing is completely lubricated.

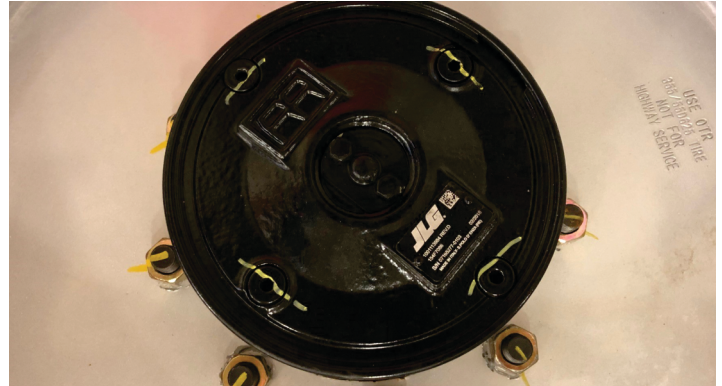
SECTION 7 - GENERAL SPECIFICATIONS & OPERATOR MAINTENANCE

2. Swing Drive Hub



Lube Point(s) - Level/Fill Plug
Capacity - 43 oz. (1.3 L)
Lube - 90w80 Gear Oil
Interval - Check level every 3 months or 150 hrs of operation;
change every 2 years or 1200 hours of operation

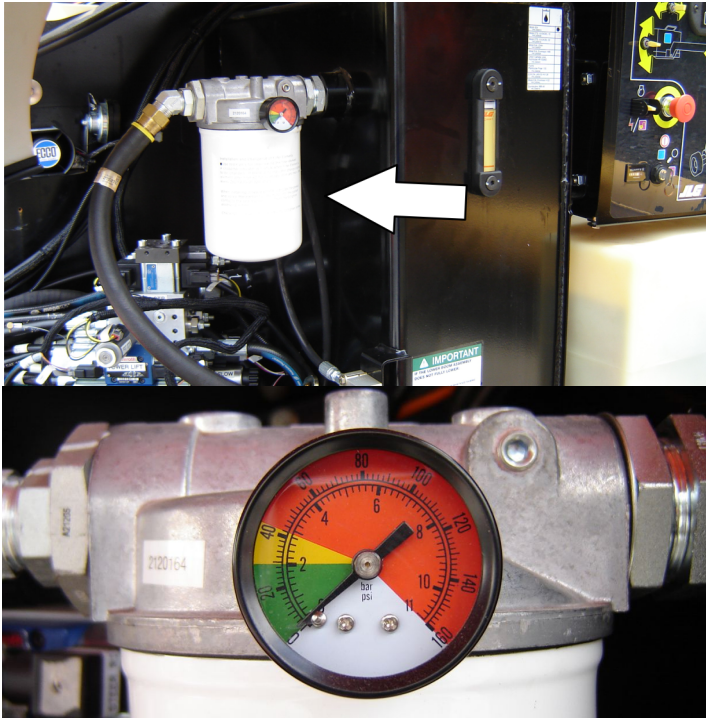
3. Wheel Drive Hub



Lube Point(s) - Level/Fill Plug
Capacity - 20 oz. (0.6 L)
Lube - EPGL
Interval - Check level every 3 months or 150 hrs of operation;
change every 2 years or 1200 hours of operation

SECTION 7 - GENERAL SPECIFICATIONS & OPERATOR MAINTENANCE

4. Hydraulic Return Filter



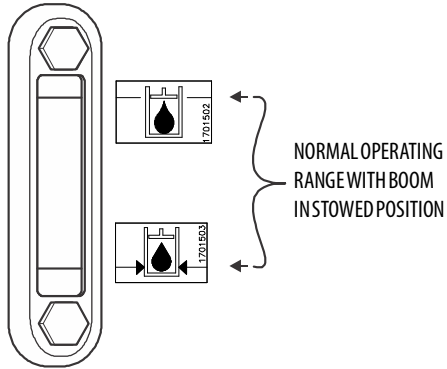
Interval - Change after first 50 hrs. and every 6 months or 300 hrs. thereafter or as indicated by Condition Indicator.

5. Hydraulic Charge Filter



Interval - Change after first 50 hrs. and every 6 months or 300 hrs. thereafter or as indicated by Condition Indicator.

6. Hydraulic Tank



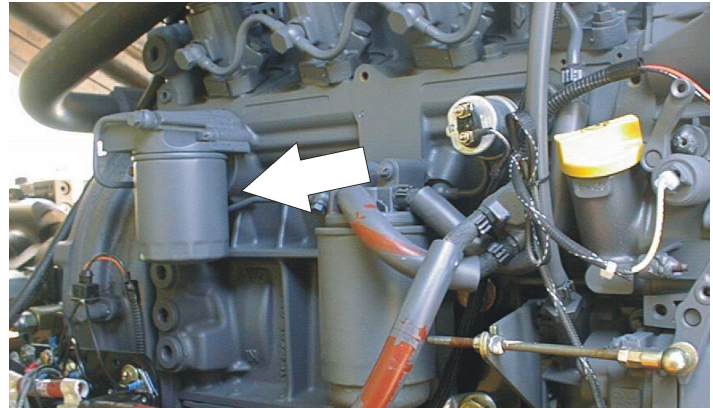
Lube Point(s) - Fill Cap

Capacity - 30.6 gal. (115.8 L) Tank; 40 gal. (151.4 L) System

Lube - HO

Interval - Check Level daily; Change every 2 years or 1200 hours of operation.

7. A. Oil Change w/Filter - Deutz 2011



Lube Point(s) - Fill Cap/Spin-on Element

Capacity - 11 Quarts Crankcase; 5 Quarts Cooler

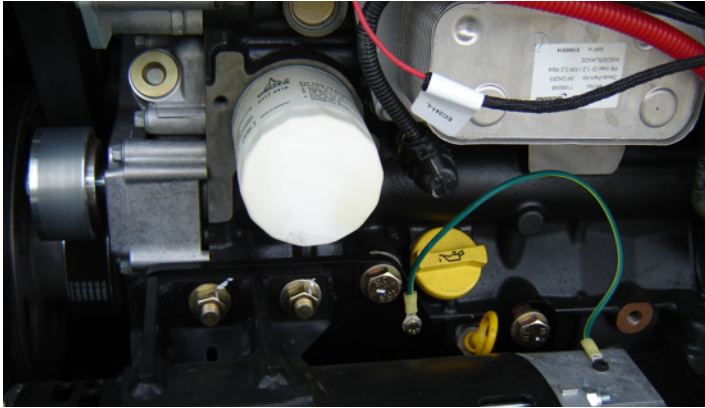
Lube - EO

Interval - Every Year or 1200 hours of operation

Comments - Check level daily/Change in accordance with engine manual. Refer to Figure 7-7., Deutz 2011 Engine Dipstick.

SECTION 7 - GENERAL SPECIFICATIONS & OPERATOR MAINTENANCE

B. Oil Change w/Filter - Deutz TD2.9, 2.2L Stage V



Lube Point(s) - Fill Cap/Spin-on Element

Capacity - 9.6 Quarts (9.0 L)

Lube - EO

Interval - Every Year or 600 hours of operation

Comments - Check level daily/Change in accordance with engine manual.

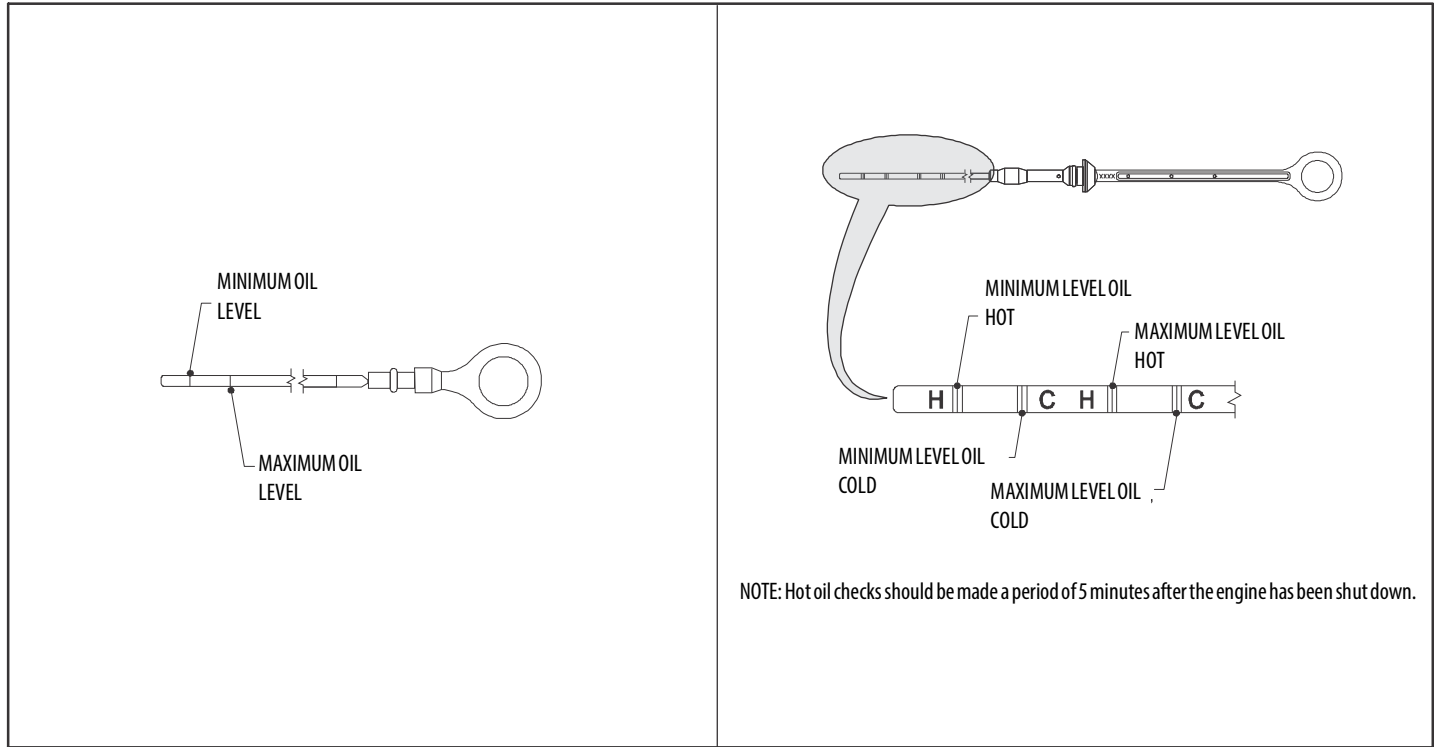
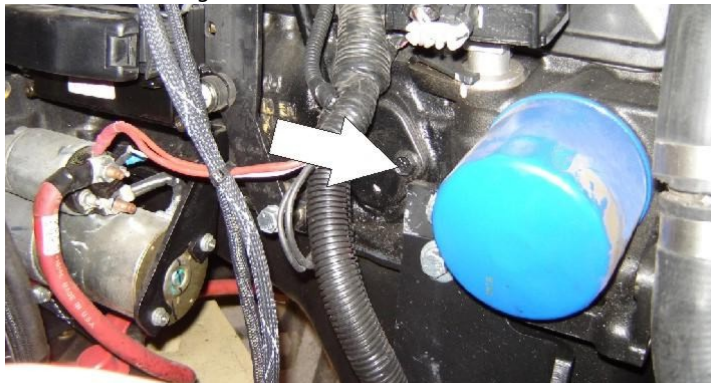


Figure 7-7. Deutz 2011 Engine Dipstick

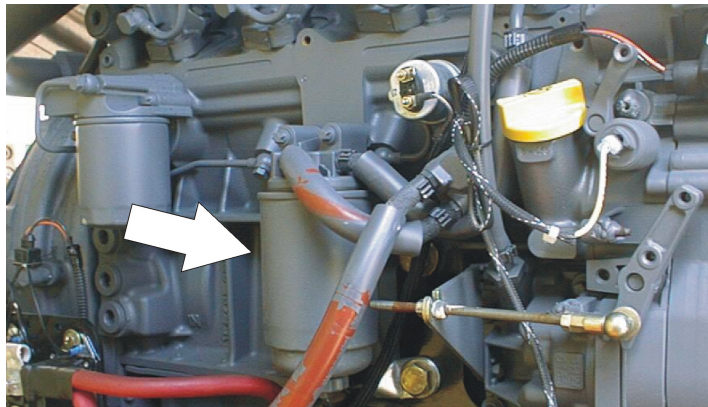
SECTION 7 - GENERAL SPECIFICATIONS & OPERATOR MAINTENANCE

8. Oil Change w/Filter - Ford



Lube Point(s) - Fill Cap/Spin-on Element
Capacity - 4.5 qt. (4.25 L) w/filter
Lube - EO
Interval - 3 Months or 150 hours of operation
Comments - Check level daily/Change in accordance with engine manual.

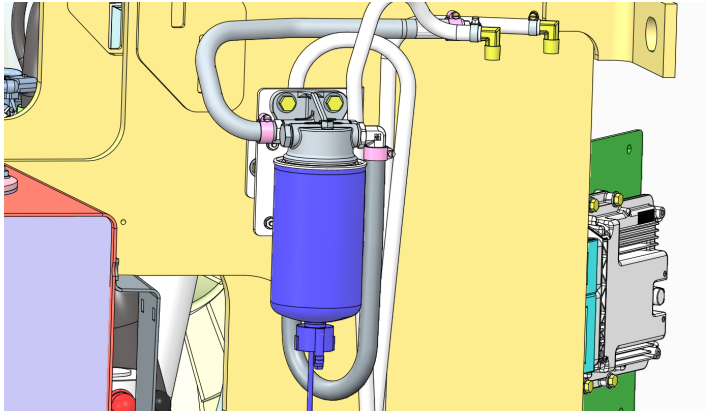
9. A. Fuel Filter - Deutz



On Engine:
Lube Point(s) - Replaceable Element
Interval - Change in accordance with engine manual

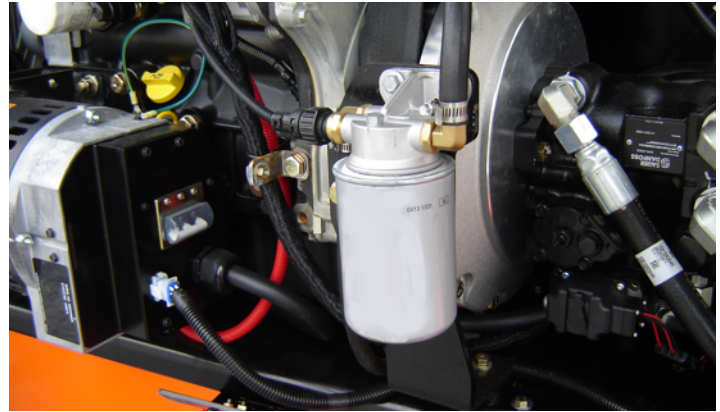
SECTION 7 - GENERAL SPECIFICATIONS & OPERATOR MAINTENANCE

B. Fuel Filter - Deutz TD2.9, 2.2L Stage V (On Turntable)



Lube Point(s) - Replaceable Element
Interval - Change in accordance with engine manual

C. Fuel Filter - Deutz TD2.9, 2.2L Stage V (On Engine)



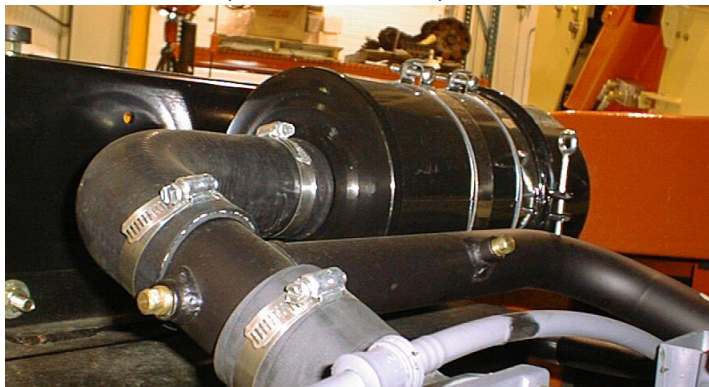
Lube Point(s) - Replaceable Element
Interval - Change in accordance with engine manual

10. Fuel Filter (Gasoline) - Ford

Lube Point(s) - Replaceable Element
Interval - Every 6 months or 300 hours of operation

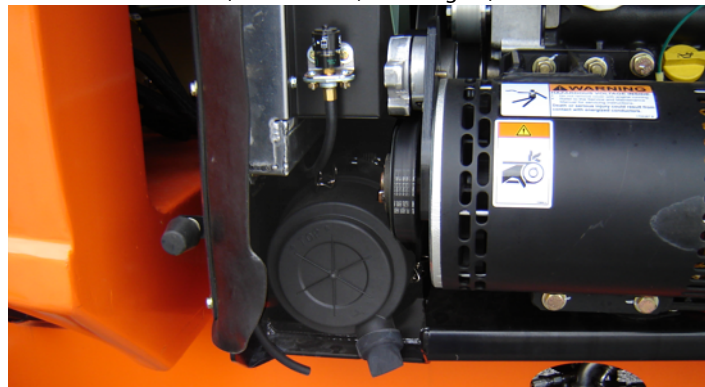
SECTION 7 - GENERAL SPECIFICATIONS & OPERATOR MAINTENANCE

11. A. Air Filter (Deutz 2011 and Ford)



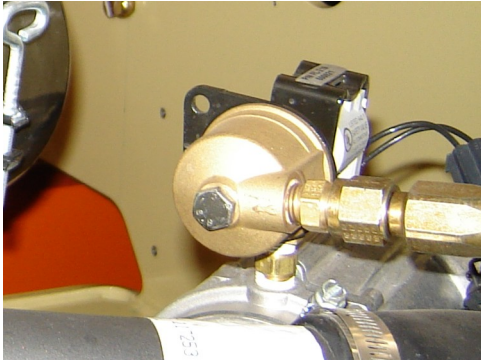
Lube Point(s) - Replaceable Element
Interval - Every 6 months or 300 hours of operation or as indicated by the condition indicator

B. Air Filter (Deutz TD 2.9, 2.2L Stage V)



Lube Point(s) - Replaceable Element
Interval - Every 6 months or 300 hours of operation or as indicated by the condition indicator

12. Fuel Filter (Propane) - Ford Engine



Interval - 3 Months or 150 hours of operation

Comments - Replace filter. Refer to Section 7.7, Propane Fuel Filter Replacement

- a smooth, even cut through the cord plies which exceeds 3 inches (7.5 cm) in total length
- any tears or rips (ragged edges) in the cord plies which exceeds 1 inch (2.5 cm) in any direction
- any punctures which exceed 1 inch in diameter
- any damage to the bead area cords of the tire

If a tire is damaged but is within the above noted criteria, the tire must be inspected on a daily basis to insure the damage has not propagated beyond the allowable criteria.

7.5 TIRES & WHEELS

Tire Damage

For polyurethane foam filled tires, JLG Industries, Inc. recommends that when any of the following are discovered, measures must be taken to remove the JLG product from service immediately and arrangements must be made for replacement of the tire or tire assembly.

Tire Replacement

JLG recommends a replacement tire be the same size, ply and brand as originally installed on the machine. Please refer to the JLG Parts Manual for the part number of the approved tires for a particular machine model. If not using a JLG approved replacement tire, we recommend that replacement tires have the following characteristics:

- Equal or greater ply/load rating and size of original
- Tire tread contact width equal or greater than original
- Wheel diameter, width, and offset dimensions equal to the original
- Approved for the application by the tire manufacturer (including inflation pressure and maximum tire load)

Unless specifically approved by JLG Industries Inc. do not replace a foam filled or ballast filled tire assembly with a pneumatic tire. When selecting and installing a replacement tire, ensure that all tires are inflated to the pressure recommended by JLG. Due to size variations between tire brands, both tires on the same axle should be the same.

Wheel Replacement

The rims installed on each product model have been designed for stability requirements which consist of track width and load capacity. Size changes such as rim width, center piece location, larger or

smaller diameter, etc., without written factory recommendations, may result in an unsafe condition regarding stability.

Wheel Installation

It is extremely important to apply and maintain proper wheel mounting torque.

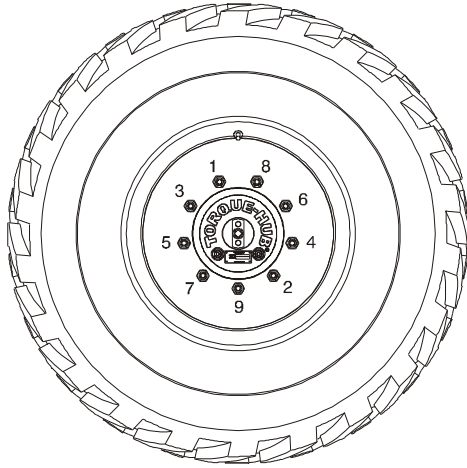


WHEEL NUTS MUST BE INSTALLED AND MAINTAINED AT THE PROPER TORQUE TO PREVENT LOOSE WHEELS, BROKEN STUDS, AND POSSIBLE DANGEROUS SEPARATION OF WHEEL FROM THE AXLE. BE SURE TO USE ONLY THE NUTS MATCHED TO THE CONE ANGLE OF THE WHEEL.

Tighten the lug nuts to the proper torque to prevent wheels from coming loose. Use a torque wrench to tighten the fasteners. If you do not have a torque wrench, tighten the fasteners with a lug wrench, then immediately have a service garage or dealer tighten the lug nuts to the proper torque. Over-tightening will result in breaking the studs or permanently deforming the mounting stud holes in the wheels. The proper procedure for attaching wheels is as follows:

1. Start all nuts by hand to prevent cross threading. DO NOT use a lubricant on threads or nuts.

2. Tighten nuts in the following sequence:



3. The tightening of the nuts should be done in stages. Following the recommended sequence, tighten nuts per wheel torque chart.
4. Wheel nuts should be torqued after first 50 hours of operation and after each wheel removal. Check torque every 3 months or 150 hours of operation.

Table 7-11. Wheel Torque Chart

TORQUE SEQUENCE		
1st Stage	2nd Stage	3rd Stage
40ft. lbs. (55 Nm)	95 ft. lbs. (130 Nm)	170 ft. lbs. (230 Nm)

7.6 OSCILLATING AXLE LOCKOUT TEST (IF EQUIPPED)

NOTICE

LOCKOUT SYSTEM TEST MUST BE PERFORMED QUARTERLY, ANY TIME A SYSTEM COMPONENT IS REPLACED, OR WHEN IMPROPER SYSTEM OPERATION IS SUSPECTED.

NOTE: *Ensure boom is fully retracted, lowered, and centered between drive wheels prior to beginning lockout cylinder test.*

1. Place a 6 in (15.2 cm) high block with ascension ramp in front of left front wheel.
2. From platform control station, start engine
3. Place the Drive control lever to the forward position and carefully drive machine up ascension ramp until left front wheel is on top of block.

SECTION 7 - GENERAL SPECIFICATIONS & OPERATOR MAINTENANCE

4. Carefully activate Swing control lever and position boom over right side of machine.
5. With boom over right side of machine, place Drive control lever to Reverse and drive machine off of block and ramp.
6. Have an assistant check to see that left front wheel remains locked in position off of ground.
7. Carefully activate Swing control lever and return boom to stowed position (centered between drive wheels). When boom reaches center, stowed position, lockout cylinders should release and allow wheel to rest on ground, it may be necessary to activate Drive to release cylinders.
8. Place the 6 in (15.2 cm) high block with ascension ramp in front of right front wheel.
9. Place Drive control lever to Forward and carefully drive machine up ascension ramp until right front wheel is on top of block.
10. With boom over left side of machine, place Drive control lever to Reverse and drive machine off of block and ramp.
11. Have an assistant check to see that right front wheel remains locked in position off of ground.
12. Carefully activate Swing control lever and return boom to stowed position (centered between drive wheels). When boom reaches center, stowed position, lockout cylinders

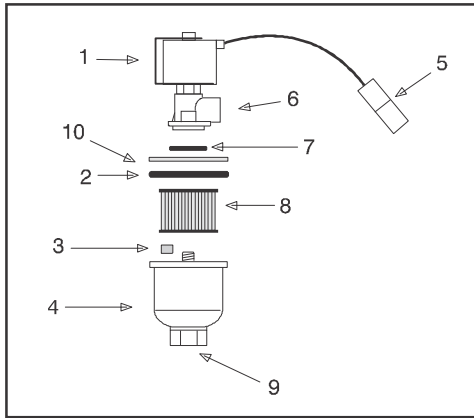
should release and allow wheel to rest on ground, it may be necessary activate Drive to release cylinders.

13. If lockout cylinders do not function properly, have qualified personnel correct the malfunction prior to any further operation.

7.7 PROPANE FUEL FILTER REPLACEMENT

Removal

1. Relieve the propane fuel system pressure. Refer to Propane Fuel System Pressure Relief.
2. Disconnect the negative battery cable.
3. Slowly loosen the Filter housing and remove it.
4. Pull the filter housing from the Electric lock off assembly.
5. Remove the filter from the housing.
6. Locate Filter magnet and remove it.
7. Remove and discard the housing seal.



- | | |
|-------------------------------|----------------|
| 1. Electric Lock Off Solenoid | 6. Fuel Outlet |
| 2. Housing Seal | 7. O-ring |
| 3. Filter Magnet | 8. Filter |
| 4. Filter Housing | 9. Fuel Inlet |
| 5. Electrical Connector | 10. Ring |

Figure 7-8. Filter Lock Assembly

Installation

NOTICE

BE SURE TO REINSTALL THE FILTER MAGNET INTO THE HOUSING BEFORE INSTALLING NEW SEAL

1. Install the housing seal.
2. Drop the magnet into the bottom of the filter housing.
3. Install the filter into the housing.
4. Install the filter up to the bottom of the electric lock off.
5. Tighten the filter bowl retainer to 106 in lb (12 Nm).
6. Open manual shut-off valve. Start the vehicle and leak check the propane fuel system at each serviced fitting. Refer to Propane Fuel System Leak Test.

7.8 PROPANE FUEL SYSTEM PRESSURE RELIEF

⚠ CAUTION

THE PROPANE FUEL SYSTEM OPERATES AT PRESSURES UP TO 312 PSI (21.5 BAR). TO MINIMIZE THE RISK OF FIRE AND PERSONAL INJURY, RELIEVE THE PROPANE FUEL SYSTEM PRESSURE (WHERE APPLICABLE) BEFORE SERVICING THE PROPANE FUEL SYSTEM COMPONENTS.

To relieve propane fuel system pressure:

1. Close the manual shut-off valve on the propane fuel tank.
2. Start and run the vehicle until the engine stalls.
3. Turn the ignition switch OFF.

⚠ CAUTION

RESIDUAL VAPOR PRESSURE WILL BE PRESENT IN THE FUEL SYSTEM. ENSURE THE WORK AREA IS WELL VENTILATED BEFORE DISCONNECTING ANY FUEL LINE.

7.9 SUPPLEMENTAL INFORMATION ONLY APPLICABLE TO CE MACHINES

The following information is provided in accordance with the requirements of the European Machinery Directive 2006/42/EC.

The A-Weighted emission sound pressure level at the work platform is less than 70dB (A).

The guaranteed Sound Power Level (LWA) per European Directive 2000/14/EC (Noise Emission in the Environment by Equipment for Use Outdoors) based on test methods in accordance with Annex III, Part B, Method 1 and 0 of the directive, is 104 dB (A).

The vibration total value to which the hand-arm system is subjected does not exceed $2,5 \text{ m/s}^2$. The highest root mean square value of weighted acceleration to which the whole body is subjected does not exceed $0,5 \text{ m/s}^2$.

EC Declaration of Conformity

Manufacturer:

JLG Industries, Inc.

Address:

1 JLG Drive
1McConnellsburg, PA 17233 USA

Technical File:

JLG EMEA B.V.
Polaris avenue 63,
2132 JH Hoofddorp
The Netherlands

Contact / Position:

Director of Engineering
Europe

Date / Place:

Hoofddorp, Netherlands

Machine Type:

Mobile Elevating Work Platform

Model Type:

600AJHC3

Notified Body:

Kuiper Certificering b.v.

EC-Number:

2842

Address:

Van Slingelandtstraat 75, 7331 NM
Apeldoorn, The Netherlands

Certificate Number:

KCEC4412

Reference Standards:

- EN 55011:2009/A1:2010
- EN 61000-6-2:2005
- EN 60204-1:2018
- EN 280:2013+ A1:2015
- EN ISO 12100:2010

JLG Industries Inc. hereby declares that the above mentioned machine conforms with the requirements of:

- 2006/42/EC - Machinery Directive
- 2014/30/EU - EMC Directive
- 2014/53/EU - RED Directive (If fitted with optional equipment)
- 2000/14/EC - Outdoor Noise Directive

NOTE: *This declaration conforms with the requirements of annex II-A of the council directive 2006/42/EC. Any modification to the above described machine violates the validity of this declaration.*

SECTION 7 - GENERAL SPECIFICATIONS & OPERATOR MAINTENANCE

SECTION 8. INSPECTION AND REPAIR LOG

Machine Serial Number _____

Table 8-1. Inspection and Repair Log

Date	Comments

SECTION 8 - INSPECTION AND REPAIR LOG

Table 8-1. Inspection and Repair Log

Date	Comments



An Oshkosh Corporation Company

Corporate Office

JLG Industries, Inc.

1 JLG Drive

McConnellsburg, PA 17233-9533 USA

☎ (717) 485-5161 (Corporate)

☎ (877) 554-5438 (Customer Support)

📠 (717) 485-6417

Visit our website for JLG Worldwide Locations

www.jlg.com